

Item description/product images

**Description****Material:**

Tool steel or 1.4305 stainless steel.

Version:

Steel hardened and ground.

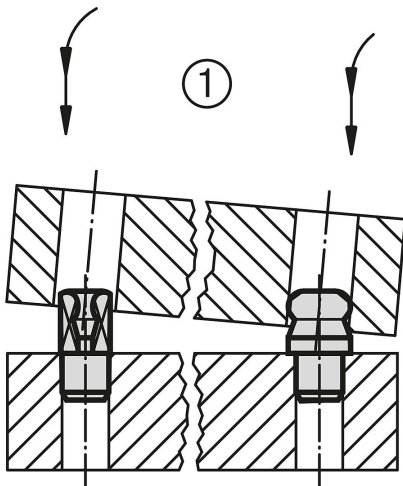
Stainless steel ground and kolsterised.

Note:

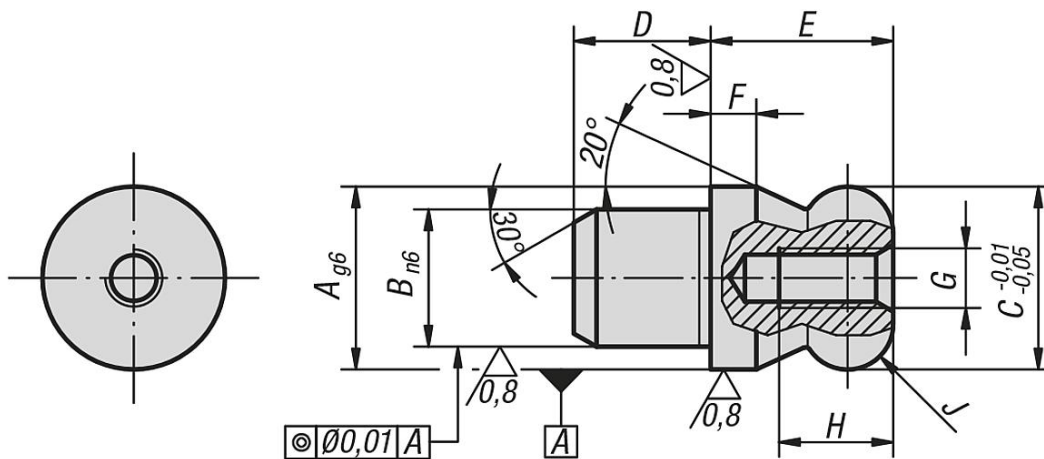
Ball end locating pins are specially designed to ease the locating process. The tendency to jam, caused by the locating hole not being at right angles to the pin or by the pushing force not being parallel to the pin axis, is minimized by the ball-end form (see illustration).



Item description/product images



Drawings



Overview of items

Order No. tool steel	Order No. stainless steel	A	B	C	D	E	F	G	H	J
03108-06	03108-506	6	4	6	4	6	2	M2,5	4,5	R 1
03108-08	03108-508	8	6	8	6	8	2	M3	6	R 2
03108-10	03108-510	10	7	10	7	10	2,5	M3	6	R 2,5
03108-12	03108-512	12	8	12	8	12	3	M4	8	R 3
03108-14	03108-514	14	10	14	10	14	3,5	M4	8	R 3,5
03108-16	03108-516	16	12	16	12	16	4	M5	10	R 4
03108-20	03108-520	20	14	20	14	20	5	M5	10	R 5
03108-22	-	22	16	22	16	22	5,5	M5	10	R 5,5
03108-25	-	25	18	25	18	25	6	M5	10	R 6