

## Item description/product images



## Description

**Material:**

Ball bearing steel

**Version:**

Hardened, black oxidised.

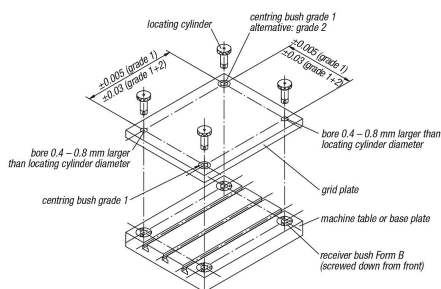
**Note:**

By a centre distance tolerance of  $\pm 0.005$  mm and two grade I centring bushes a repeat accuracy of  $\pm 0.013$  mm is possible.

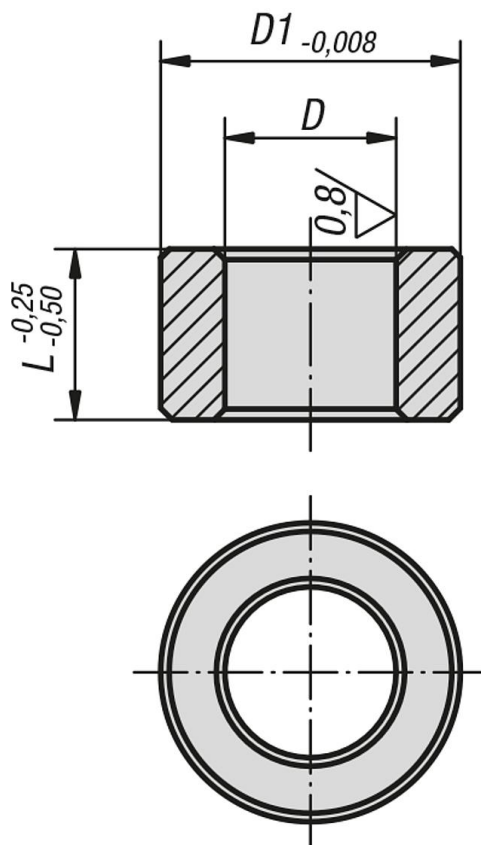
By a centre distance tolerance of  $\pm 0.03$  mm and one grade I and one grade II centring bush a repeat accuracy of 0.04 mm is possible.

The centring bushes are pressed into the receiver holes of the tooling plates using a light pressure.

For further details see "General information".



## Drawings



## Overview of items

Order No.	Version 1	D	T=tolerance	D1	L	Bore size for centring bush Ø +0.01
03154-113013	grade I	13	+0,005 - +0,018	19,04	13	19,016
03154-113020	grade I	13	+0,005 - +0,018	19,04	20	19,016
03154-116020	grade I	16	+0,005 - +0,018	25,042	20	25,016
03154-116025	grade I	16	+0,005 - +0,018	25,042	25	25,016
03154-120020	grade I	20	+0,005 - +0,018	35,042	20	35,018
03154-120025	grade I	20	+0,005 - +0,018	35,042	25	35,018
03154-125020	grade I	25	+0,005 - +0,018	35,042	20	35,018
03154-125025	grade I	25	+0,005 - +0,018	35,042	25	35,018
03154-130020	grade I	30	+0,005 - +0,018	45,042	20	45,018
03154-130025	grade I	30	+0,005 - +0,018	45,042	25	45,018
03154-135020	grade I	35	+0,005 - +0,018	45,042	20	45,018
03154-135025	grade I	35	+0,005 - +0,018	45,042	25	45,018
03154-135040	grade I	35	+0,005 - +0,018	45,042	40	45,018
03154-135050	grade I	35	+0,005 - +0,018	45,042	50	45,018
03154-150020	grade I	50	+0,005 - +0,018	63,546	20	63,521
03154-150040	grade I	50	+0,005 - +0,018	63,546	40	63,521
03154-150050	grade I	50	+0,005 - +0,018	63,546	50	63,521
03154-213013	grade II	13	+0,025 - +0,050	19,04	13	19,016
03154-213020	grade II	13	+0,025 - +0,050	19,04	20	19,016
03154-216020	grade II	16	+0,025 - +0,050	25,042	20	25,016
03154-216025	grade II	16	+0,025 - +0,050	25,042	25	25,016
03154-220020	grade II	20	+0,025 - +0,050	35,042	20	35,018
03154-220025	grade II	20	+0,025 - +0,050	35,042	25	35,018
03154-225020	grade II	25	+0,025 - +0,050	35,042	20	35,018
03154-225025	grade II	25	+0,025 - +0,050	35,042	25	35,018
03154-230020	grade II	30	+0,025 - +0,050	45,042	20	45,018
03154-235025	grade II	35	+0,025 - +0,050	45,042	25	45,018
03154-235040	grade II	35	+0,025 - +0,050	45,042	40	45,018
03154-235050	grade II	35	+0,025 - +0,050	45,042	50	45,018
03154-250025	grade II	50	+0,025 - +0,050	63,546	25	63,521
03154-250050	grade II	50	+0,025 - +0,050	63,546	50	63,521