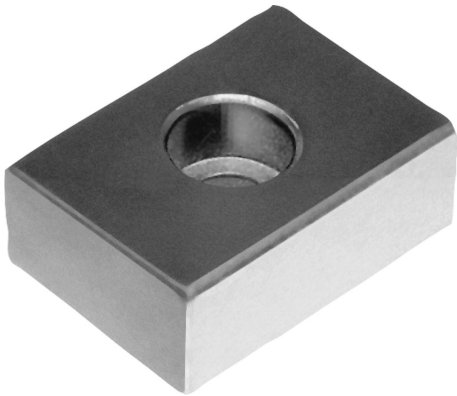


Item description/product images



Description

Material:

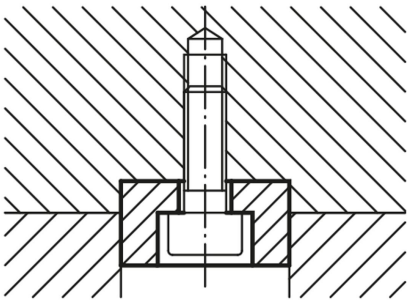
Steel.

Version:

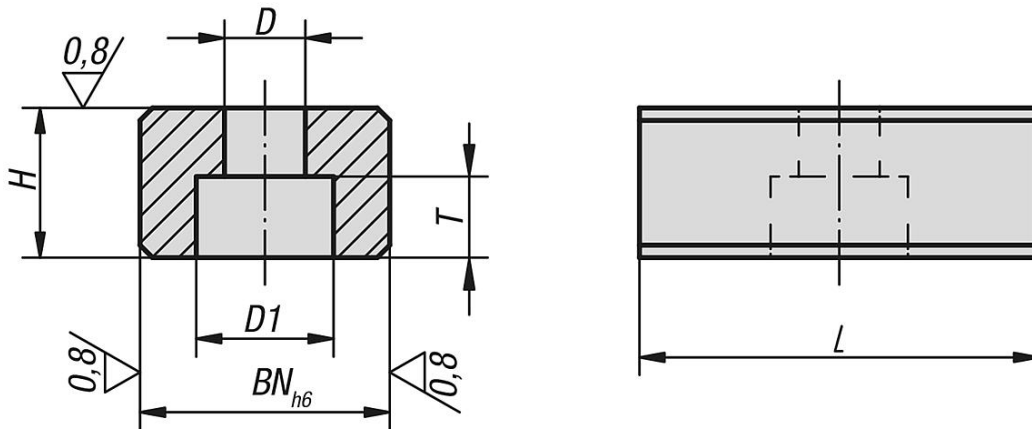
Case-hardened, black oxidised and ground.

Note:

Slot keys are used to align fixtures and clamps on machine tables with DIN 650 T-slots. They are screwed into the fixture alignment slots. Slot keys are only used when the fixture and machine table have the same slot width.



Drawings



Overview of items

Order No.	BN=Slot width	D	D1	H	L	T	for screws DIN 84 or 912
03250-10	10	4,5	8	8	20	4,3	M4x10
03250-12	12	5,3	10	8	20	5,3	M5x12
03250-14	14	6,6	11	10	22	6,3	M6x16
03250-16	16	6,6	11	10	22	6,3	M6x16
03250-18	18	6,6	11	10	22	6,3	M6x16
03250-20	20	6,6	11	10	22	6,3	M6x16
03250-22	22	6,6	11	12	32	6,3	M6x16

