

Item description/product images



Description

Material:

Jaws steel.
Spring 1.4310.
Screw grade 8.8.

Version:

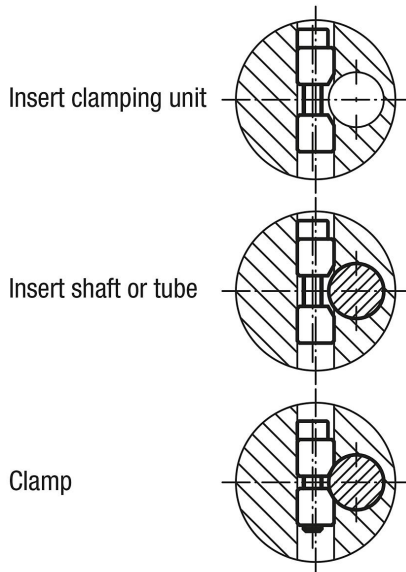
Jaws black oxidised.
Screw blue electro zinc-plated.

Note:

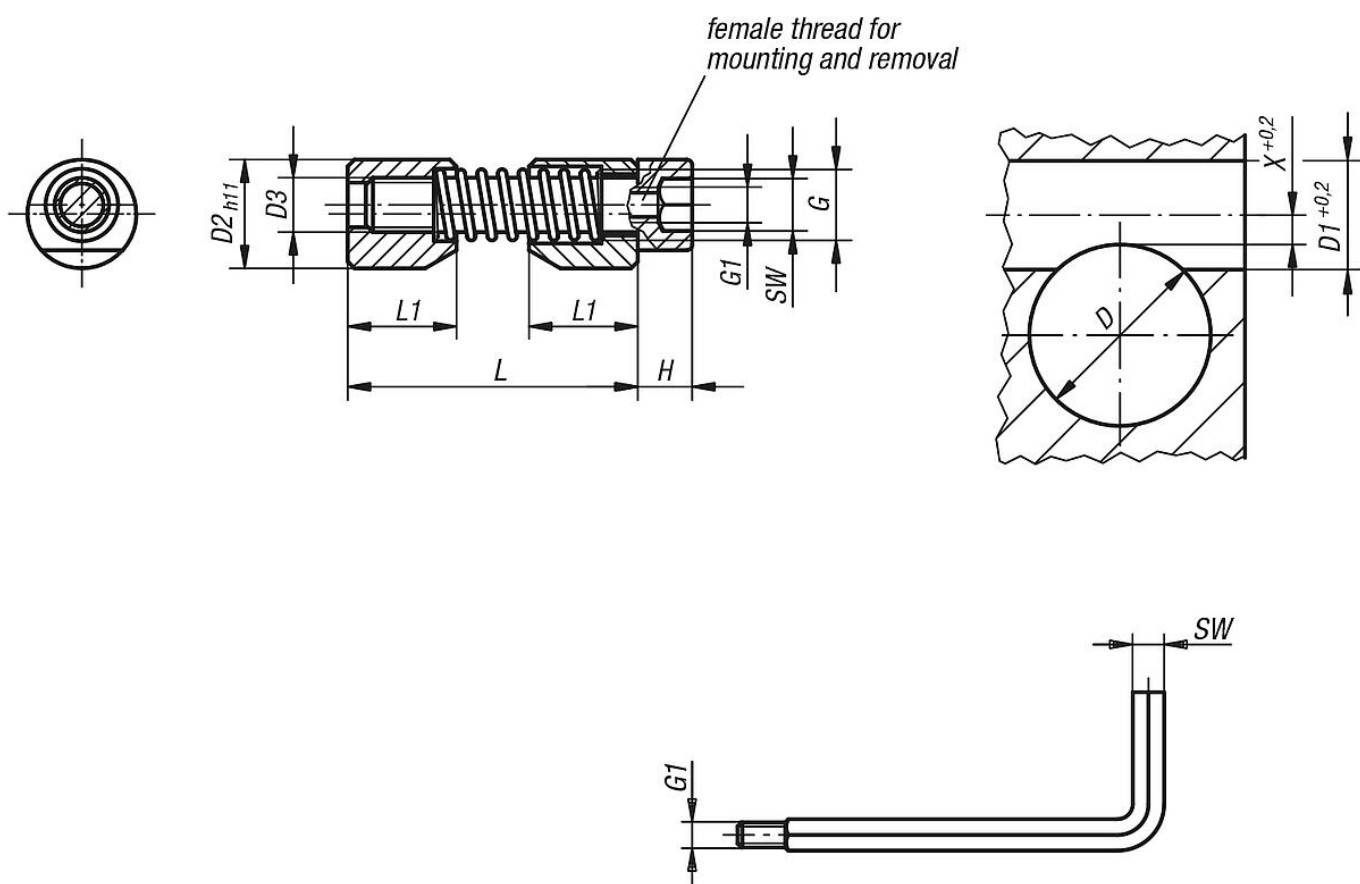
These shaft clamping units are the simple alternative to conventional shaft clamping (slot and grub screw).

The units are suitable for various materials (metal, plastic, wood etc).

To loosen a jammed clamp simply hit it axially or extract it using a screw in the jaw end or screw head.



Drawings



Special hex key with a threaded pin.
The pin is screwed into the hole G1 in the head of the cap screw to aid in positioning or removing the clamping unit.

Overview of items

Order No.	D min.	D max.	D1	D2	D3	G	G1	H	L max.	L1	SW	X	Clamping torque Mx Nm	Tightening torque max. Nm	Order No. assembly tool
03350-04	6	10	8	8	M4	M5	M2,5	4	27	8	3	2,8	max. 20	2,9	03350-904
03350-05	10	15	10	10	M5	M6	M3	5	33	10	4	3,3	max. 45	6	03350-905
03350-06	15	20	12	12	M6	M7	M4	6	39	12	5	3,5	max. 100	10	03350-906
03350-08	20	30	16	16	M8	M10	M5	8	46	16	6	4	max. 170	25	03350-908
03350-10	30	40	20	20	M10	M12	M6	10	53	20	8	4,8	max. 290	46	03350-910
03350-12	40	60	25	25	M12	M14	M8	12	70	25	10	5,6	max. 450	82	03350-912
03350-16	60	125	30	30	M16	M18	M10	16	81	30	14	7,9	max. 650	206	03350-916