

Item description/product images

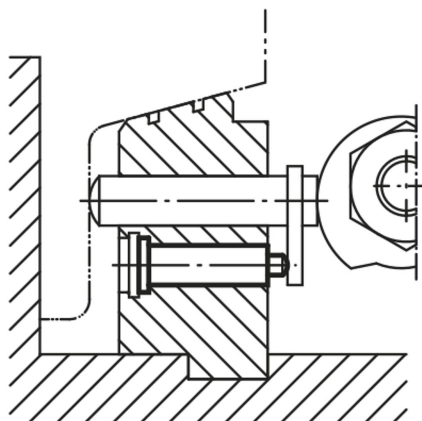


Description

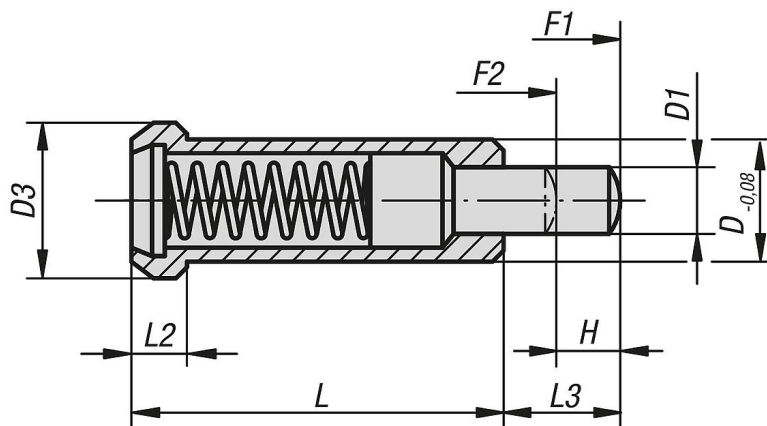
Material:
Steel.

Version:
Black oxidised.
Thrust pin hardened.

Note:
These spring plungers are chiefly used as ejectors and spring stops in machine construction.



Drawings



Overview of items

Order No.	D	D1	D3	H	L	L2	L3	Spring force initial pressure F1 approx. N	Spring force final pressure F2 approx. N
03060-06	6	2,95	8	3,5	20	3,2	6	10	22
03060-08	8	3,95	10	4,5	24	3,2	8	30	90
03060-10	10	5,95	13	5,5	30	4	10	42	110
03060-12	12	7,95	16	6,5	36	5	12	50	130

