

Item description/product images



Description

Material:

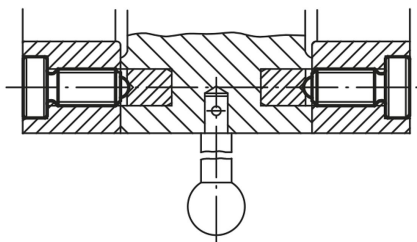
Steel or stainless steel.

Version:

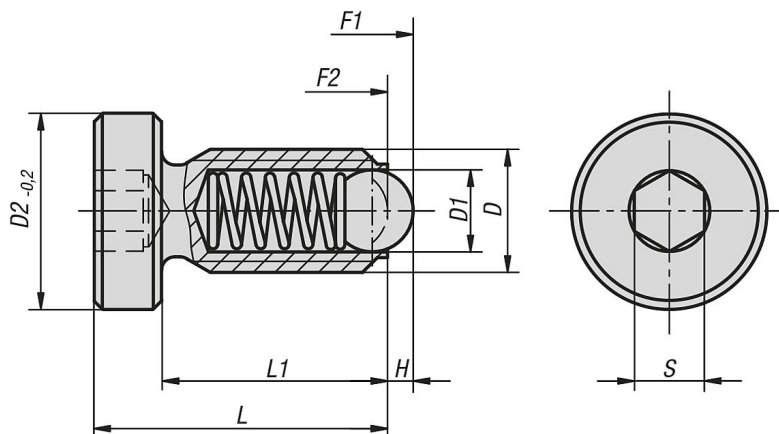
Steel black oxidised.

Stainless steel bright.

Ball steel or stainless steel, hardened, bright.



Drawings



Overview of items

Order No.	Main material	D	D1	D2	H	L	L1	S	Spring force initial pressure F1 approx. N	Spring force final pressure F2 approx. N
03073-04	steel	M4	2,5	7	0,8	13	10	2	4	10
03073-05	steel	M5	3	8,5	0,9	17	13	2,5	6	11
03073-06	steel	M6	3,5	10	1	16	12	3	9	13
03073-08	steel	M8	5	13	1,5	21	16	4	15	30
03073-10	steel	M10	6	16	2	26	20	5	20	40
03073-12	steel	M12	8	18	2,5	32	25	6	30	55
03073-041	stainless steel	M4	2,5	7	0,8	13	10	2	4	10
03073-051	stainless steel	M5	3	8,5	0,9	17	13	2,5	6	11
03073-061	stainless steel	M6	3,5	10	1	16	12	3	9	13
03073-081	stainless steel	M8	5	13	1,5	21	16	4	15	30
03073-101	stainless steel	M10	6	16	2	26	20	5	20	35
03073-121	stainless steel	M12	8	18	2,5	32	25	6	30	55

