

Item description/product images

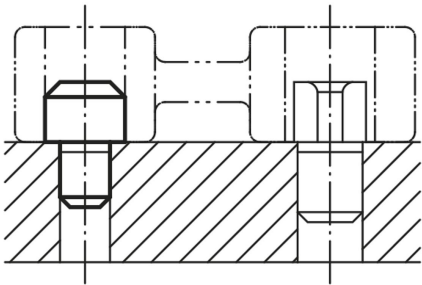


Description

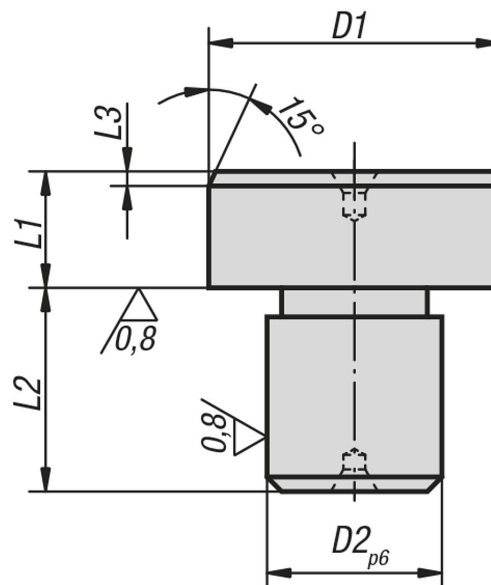
Material:
Tool steel.

Version:
Hardened.

Note:
Top face with centrebore.



Drawings



Overview of items

Order No.	D1	D2	L1	L2	L3
03130-05	8,5	5	8	8	2
03130-07	10,5	7	8	8	2
03130-08	12,5	8	8	10	2
03130-081	14,5	8	8	10	3
03130-09	16,5	9	8	12	3
03130-12	18,5	12	8	12	3
03130-121	20,5	12	8	14	3
03130-14	22,5	14	8	14	3
03130-16	25,5	16	8	16	3

