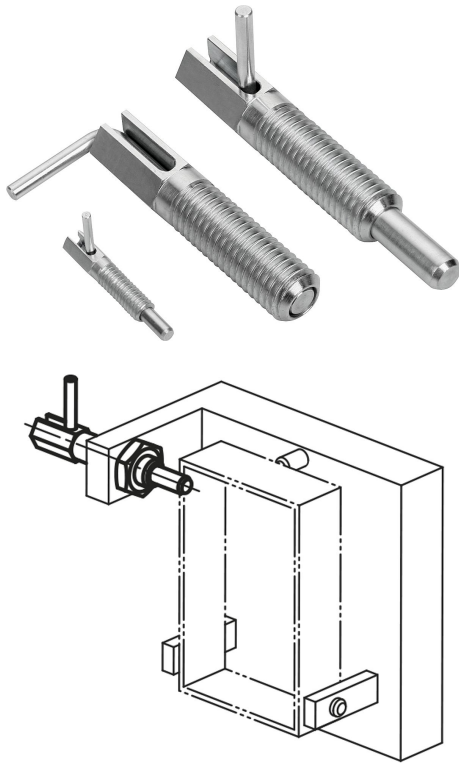


Item description/product images



Description

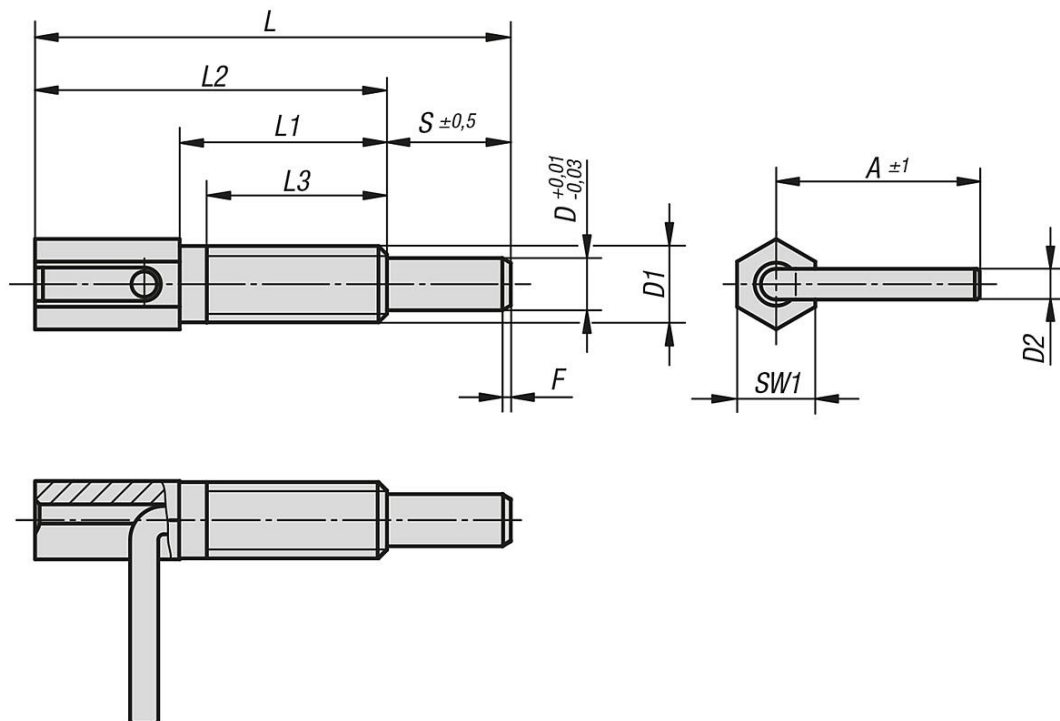
Material:
Steel grade 5.8.

Version:
Trivalent blue passivated.

Note:
Indexing plungers are used to prevent any change in locking position due to lateral forces. A new locking position can only be set after the pin has been manually disengaged.

On request:
Special versions.

Drawings



Overview of items

Order No.	A	D	D1	D2	L	L1	L2	L3	Travel S	SW1	Fx30°	Spring force initial pressure F1 approx. N	Spring force final pressure F2 approx. N	Tightening torque max. Nm
03091-1104	16	4	M6	2,3	41,5	20	32	17	9,5	6	0,7	3	10	1,6
03091-1905	19	5	M8	3	54	27	42	24	12	8	0,9	3,5	13,5	4,5
03091-1206	23,5	6	M10	3,5	65	33,5	51	30	14	10	1,1	4	16	10
03091-1308	31	8	M12	4,7	73	31,8	54	28	19	12	1,3	4	22	13
03091-1410	33	10	M16	4,7	102,5	50,5	77,5	44,5	25	16	1,6	4	23	42