

Item description/product images

**Description****Material:**

Carbon steel, tempered.

Version:

Black oxidised. Shaft OD ground.

Note:

The stated clamping forces ($F_{max.}$) and tightening torques are valid within the stated clamping ranges (H5).

Advantages:

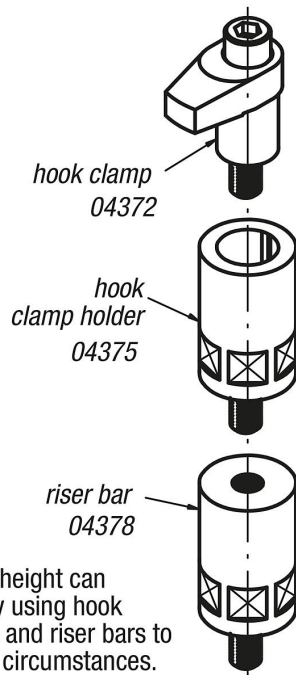
Compact design for use in the tightest of spaces
Diverse versions and sizes

Accessory:

Hook clamp holders 04375.

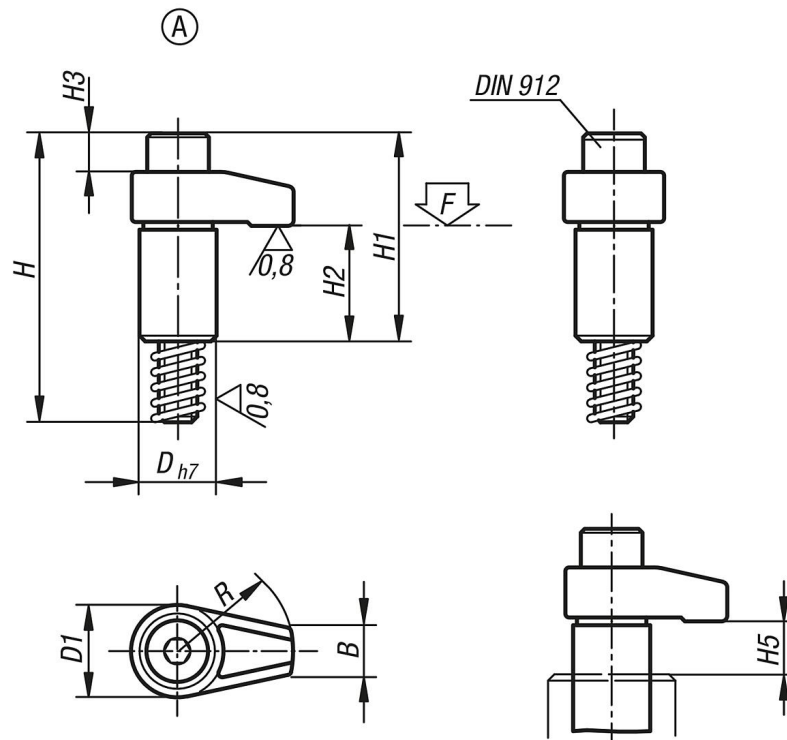
Hook clamp holders 04379.

Extensions for jack screws 04378.



The clamping height can be adjusted by using hook clamp holders and riser bars to suit individual circumstances.

Drawings



Overview of items

Order No.	Form	D	D1	H	H1	H2	H3	H4	H5 max. clamping range	B	R	Socket head screw DIN 912	Tightening torque max. Nm	F max. kN
04372-110030	A	20	25	75	54	30	9	10	12	12	30	M10x65	37,2	13
04372-110040	A	20	25	75	54	30	9	10	12	12	40	M10x65	31,4	9,8