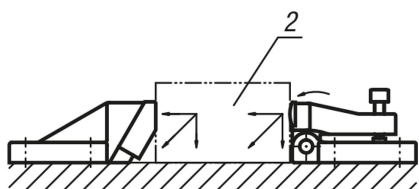


Item description/product images



Description

Material:

Body ductile iron (SG iron)
Jaw QT steel hardened.

Version:

Painted black.
Jaw bright.

Note:

The workpiece is clamped between side clamps and the side stops, simultaneously producing a positive down force.
Side clamps and stops are secured with DIN 912 cylinder screws. A secure clamping is ensured when side clamps and side stops are used together.

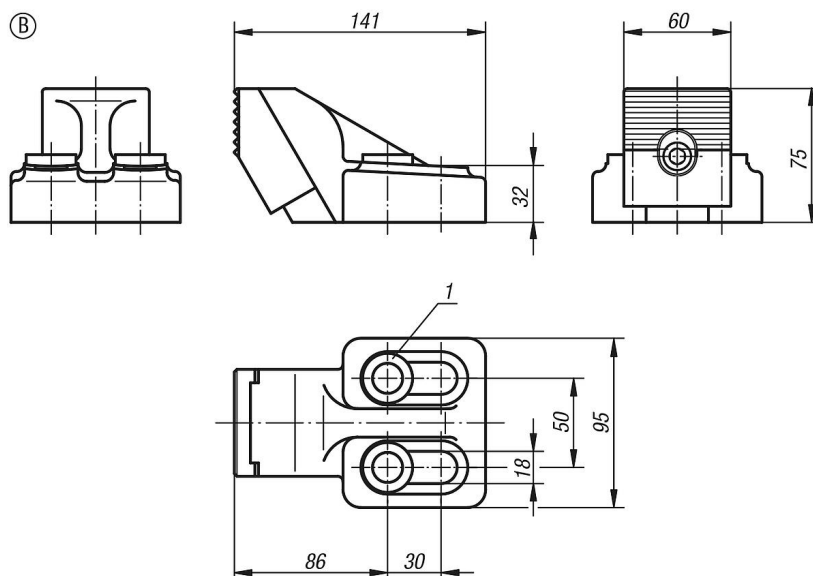
Form B:

2 conical seats and 2 spherical washers for M12 and M16 are supplied.

Drawing reference:

- 1) spherical washer set for M12 and M16
- 2) workpiece

Drawings



Overview of items

Order No.	Form
04540-02	B

