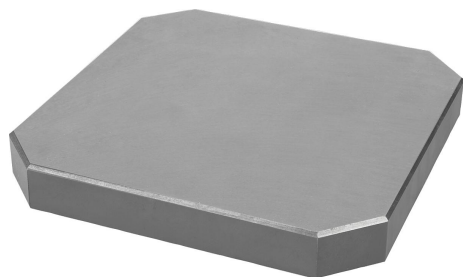


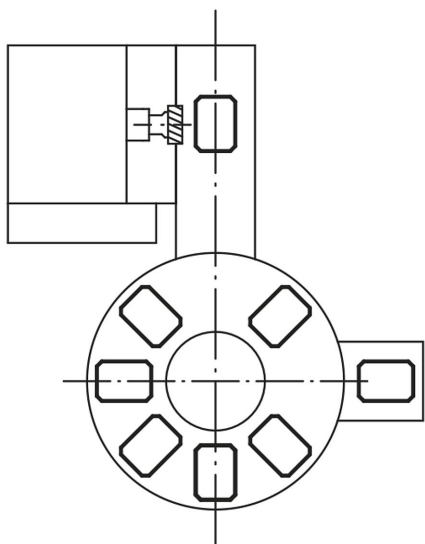
Item description/product images



Description

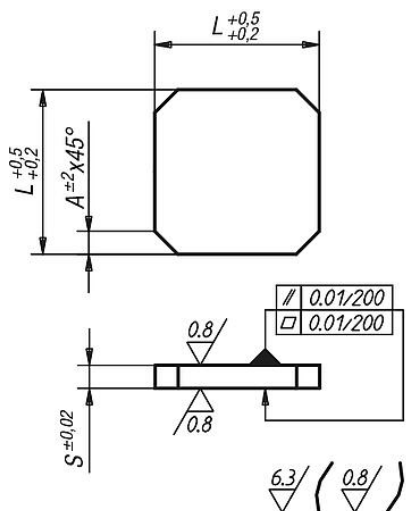
Material:
GJL 250 annealed.

Note:
The plates are also available with slots.
Type A:
ground contact faces (Ra 0.8).
Type B:
ground contact faces (Ra 0.8) and sides (Ra 1.6).
Type C:
milled contact faces and sides (Ra 3.2).

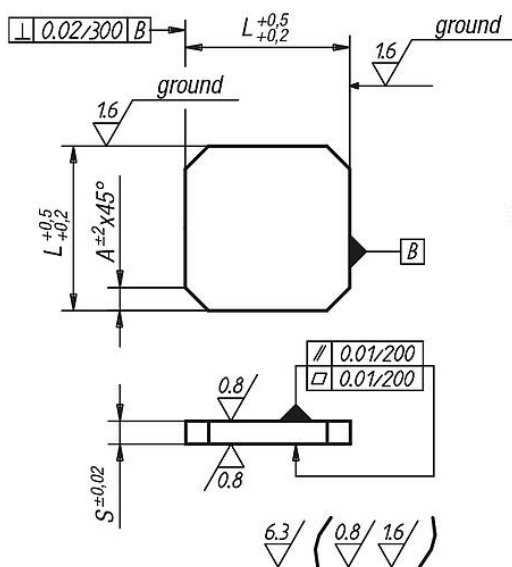


Drawings

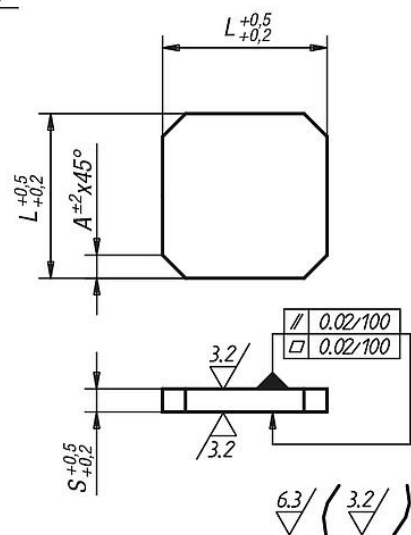
Type A



Type B



Type C



Overview of items

Order No. Type A	Order No. Type B	Order No. Type C	L	S	A
01150-001	01150-0011	01150-00111	200	25	25
01150-002	01150-0021	01150-00211	250	35	35
01150-004	01150-0041	01150-00411	320	40	40

Overview of items

Order No. Type A	Order No. Type B	Order No. Type C	L	S	A
01150-006	01150-0061	01150-00611	400	45	50
01150-008	01150-0081	01150-00811	500	50	60
01150-010	01150-0101	01150-01011	630	63	70
01150-012	01150-0121	01150-01211	800	70	100