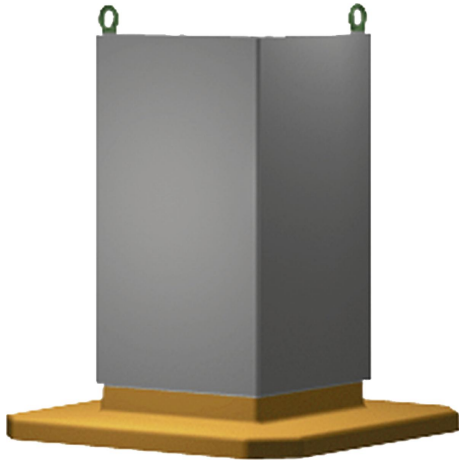


Item description/product images



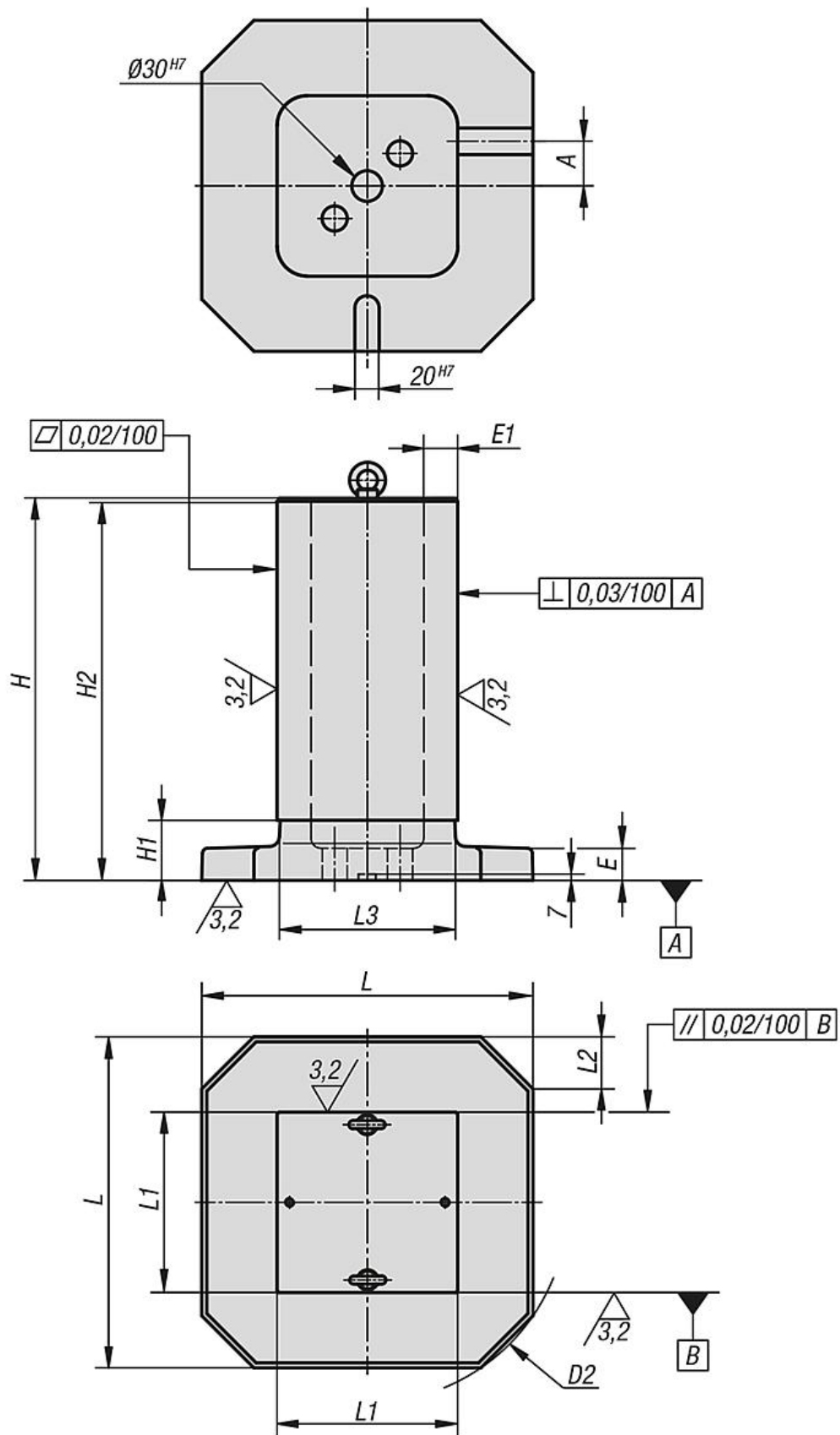
**Description**

**Material:**  
GJL 250

**Version:**  
Reference surfaces precision machined

**Note:**  
Ring bolts for lifting are supplied.  
A cover prevents the cavities filling with swarf.

**Drawing reference:**  
machined faces: +0.2 mm/ +0.5 mm  
unmachined faces:  $\pm 2$  mm



## Overview of items

| Order No.    | A    | D2  | E  | E1 | H   | H1  | H2  | L   | L1  | L2 | L3  |
|--------------|------|-----|----|----|-----|-----|-----|-----|-----|----|-----|
| 01852-320180 | 32,5 | 400 | 32 | 25 | 381 | 80  | 378 | 330 | 180 | 52 | 174 |
| 01852-400270 | 50   | 500 | 32 | 32 | 485 | 60  | 482 | 410 | 270 | 62 | 262 |
| 01852-500320 | 55   | 630 | 40 | 40 | 603 | 100 | 600 | 510 | 320 | 70 | 312 |