

Item description/product images

**Description****Material:**

Body carbon steel.

Ball:

Form C, F tool steel.

Form K POM.

Form O stainless steel diamond impregnated.

Form P stainless steel with polyurethane face.

Version:

Body tempered, black oxidised.

Ball:

Form C, F hardened, black oxidised.

Form K POM ball, white.

Form O surface comparable to 100 grade abrasive grit.

Form P polyurethane, hardness 60 Shore.

Note:

Self-aligning pads are used to support and clamp unmachined and machined workpieces.

They also serve as stops, supports and thrust pads in fixtures and toolmaking.

Ball secured against rotation.

Form O: The abrasive diamond surface is fused firmly to the ball. It is ideally suited to supporting smooth or slippery applications with a minimum of clamping pressure. This allows the diamond particles to get a firm grip on a very small area with minimum damage to the surface. The diamond surface offers excellent wear resistance.

Form P: The polyurethane surface is permanently vulcanised on the ball. It is abrasion-resistant and does not discolour. Offers optimum protection against damage to delicate surfaces. The pearl-like surface gives a firm grip and allows air to escape so as to prevent any suction effect between the contact surface and the self-aligning pads.

Advantages:

The built-in O-ring holds the ball in place and keeps dirt and foreign particles out ensuring smooth and even movement.

Drawing reference:

Form C: flattened steel ball, smooth

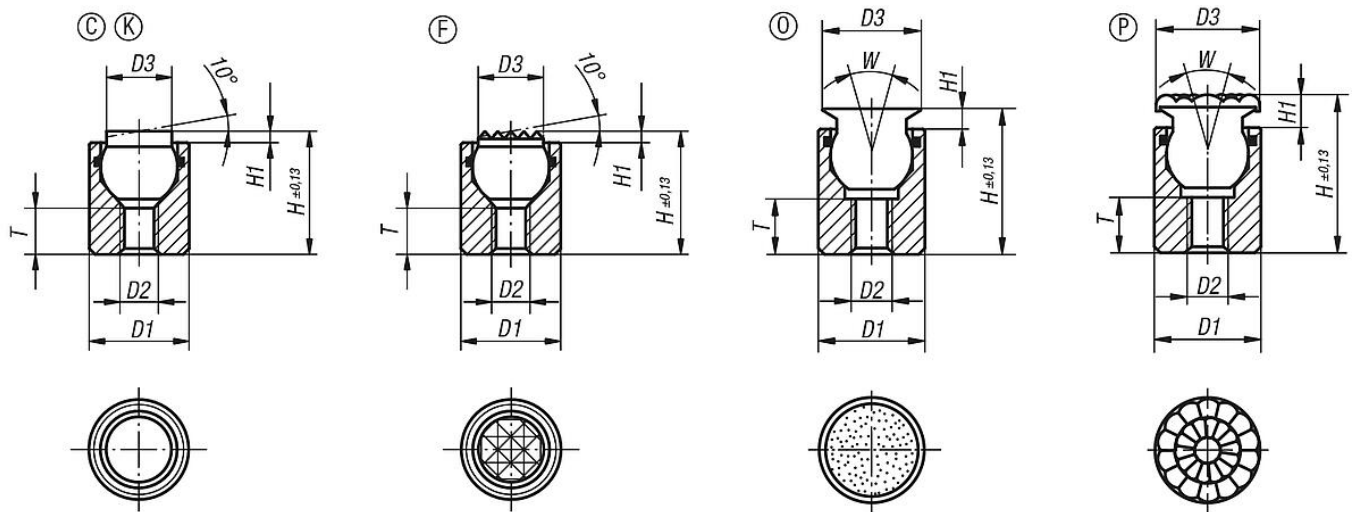
Form F: flattened steel ball, with serrations

Form K: POM ball, flattened, smooth

Form O: stainless steel ball diamond impregnated

Form P: stainless steel ball with polyurethane surface

Drawings



Overview of items

Order No.	Form	D1	D2	D3	H	H1	T	Ball-Ø	Load rating max. kN (static load only)
02002-104X012	C	10	M4	6	12	1,5	4,5	7	12
02002-104X025	C	10	M4	6	25	1,5	12	7	12
02002-105X016	C	13	M5	8,5	16	1,5	5	10	20
02002-105X025	C	13	M5	8,5	25	1,5	12	10	20

Order No.	Form	D1	D2	D3	H	H1	T	Ball-Ø	Load rating max. kN (static load only)
02002-304X012	F	10	M4	6	12	1,5	4,5	7	12
02002-304X025	F	10	M4	6	25	1,5	12	7	12
02002-305X016	F	13	M5	8,5	16	1,5	5	10	20
02002-305X025	F	13	M5	8,5	25	1,5	12	10	20

Order No.	Form	D1	D2	D3	H	H1	T	Ball-Ø	Load rating max. kN (static load only)
02002-704X012	K	10	M4	6	12	1,5	4,5	7	2
02002-704X025	K	10	M4	6	25	1,5	12	7	2
02002-705X016	K	13	M5	8,5	16	1,5	5	10	4
02002-705X025	K	13	M5	8,5	25	1,5	12	10	4

Order No.	Form	D1	D2	D3	H	H1	W	T	Ball-Ø
02002-604X014	P	10	M4	10	14,5	4	28	3,5	7
02002-604X027	P	10	M4	10	27,5	4	28	9	7
02002-605X019	P	13	M5	13	19,5	5	28	6,5	10
02002-605X028	P	13	M5	13	28,5	5	28	9	10
02002-606X023	P	17	M6	16	23	5	28	7,5	13
02002-608X026	P	19	M8	21	26	6	24	8,5	15
02002-610X030	P	24	M10	23	30	6	24	9	20