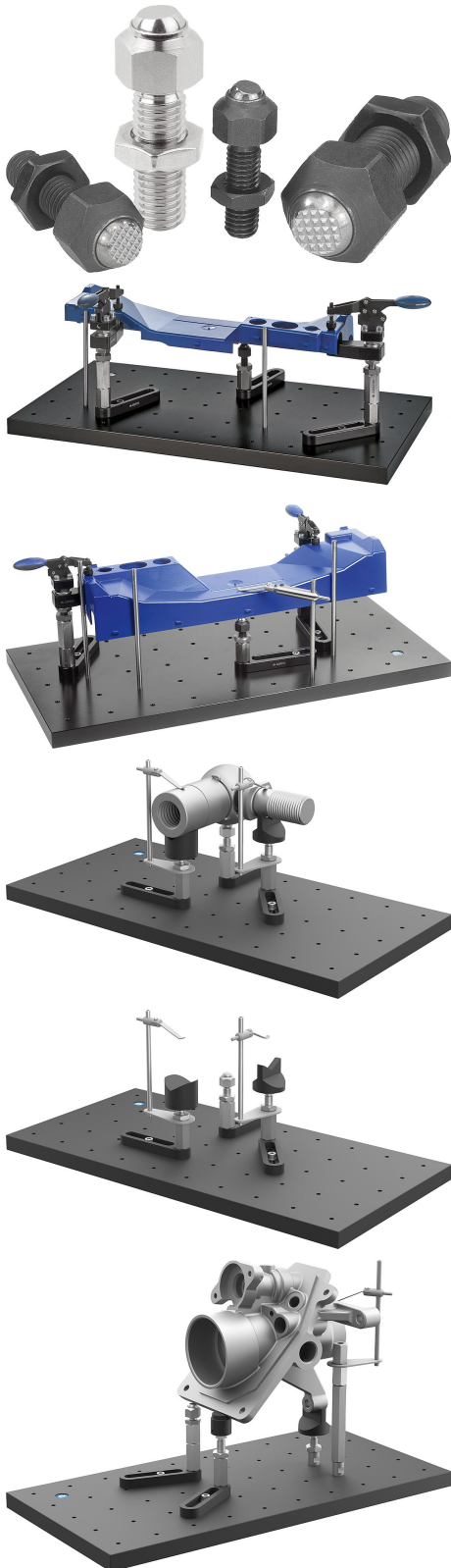


Item description/product images

**Description****Material:**

Steel or stainless steel.

Version:

Steel version:

Housing tempered and manganese phosphated.
Nut black oxidised.

Stainless steel version:

Housing tempered and electropolished.
Nut bright.

Note:

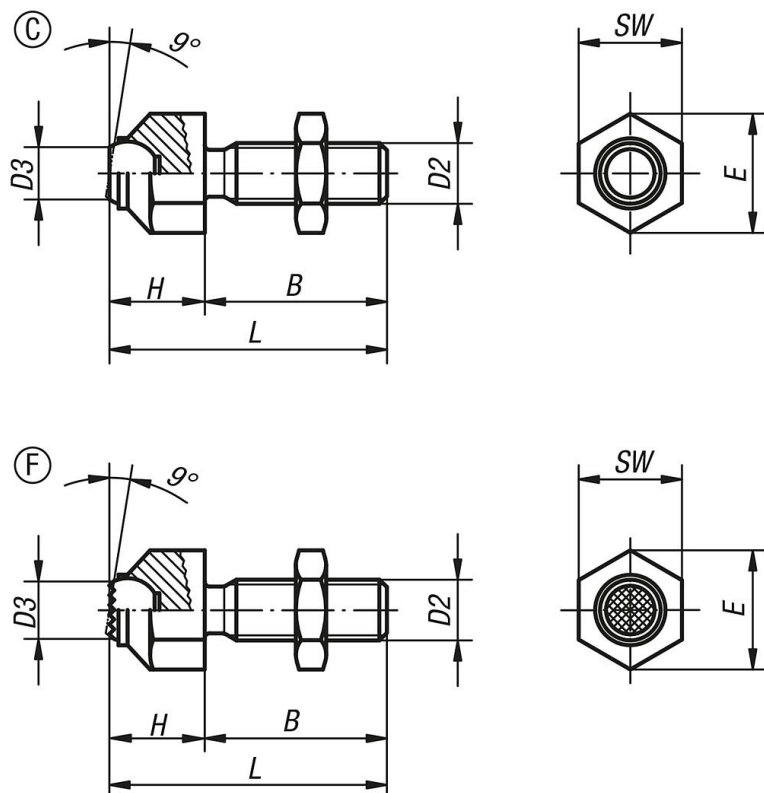
Ball secured against rotation.

Drawing reference:

Form C: flattened ball, smooth

Form M: flattened ball, with serrations

Drawings



Overview of items

Order No.	Form	Main material	B	D2	D3	H	L	E	SW	Ball-Ø	Load rating max. kN (static load only)
02005-108	C	steel	25	M8	5,8	11,6	36,6	14,5	13	8,5	8
02005-110	C	steel	30	M10	8,6	15,7	45,7	19	17	12	8
02005-112	C	steel	35	M12	8,6	15,7	50,7	19	17	12	15
02005-116	C	steel	40	M16	10,5	20,7	60,7	27	24	16	25
02005-120	C	steel	50	M20	20	27,3	77,3	33	30	25	90
02005-1081	C	stainless steel	25	M8	5,8	11,6	36,6	14,5	13	8,5	8
02005-1101	C	stainless steel	30	M10	8,6	15,7	45,7	19	17	12	8
02005-1121	C	stainless steel	35	M12	8,6	15,7	50,7	19	17	12	15
02005-1161	C	stainless steel	40	M16	10,5	20,7	60,7	27	24	16	25
02005-1201	C	stainless steel	50	M20	20	27,3	77,3	33	30	25	90

Order No.	Form	Main material	B	D2	D3	H	L	E	SW	Ball-Ø	Load rating max. kN (static load only)
02005-308	F	steel	25	M8	5,8	11,6	36,6	14,5	13	8,5	8
02005-310	F	steel	30	M10	8,6	15,7	45,7	19	17	12	8
02005-312	F	steel	35	M12	8,6	15,7	50,7	19	17	12	15
02005-316	F	steel	40	M16	10,5	20,7	60,7	27	24	16	25
02005-320	F	steel	50	M20	20	27,3	77,3	33	30	25	90
02005-3081	F	stainless steel	25	M8	5,8	11,6	36,6	14,5	13	8,5	8
02005-3101	F	stainless steel	30	M10	8,6	15,7	45,7	19	17	12	8
02005-3121	F	stainless steel	35	M12	8,6	15,7	50,7	19	17	12	15
02005-3161	F	stainless steel	40	M16	10,5	20,7	60,7	27	24	16	25
02005-3201	F	stainless steel	50	M20	20	27,3	77,3	33	30	25	90

