

Item description/product images



Description

Material:

Body high carbon steel.

Version:

Body tempered and black oxidised.  
Contact faces case-hardened.

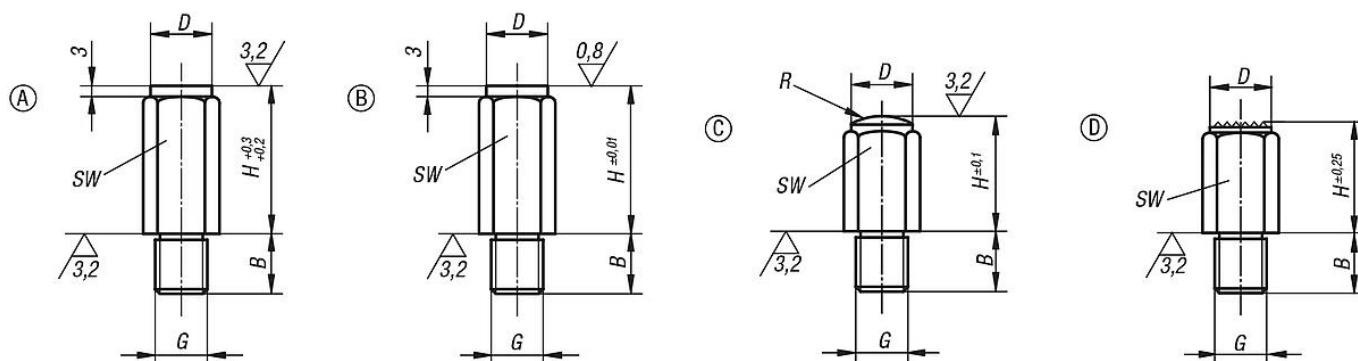
Note:

These positioning feet are used as supports for rough and machined parts. They can also be used as stops and thrust pads in fixtures and toolmaking.

Drawing reference:

- Form A: Flat face hardened
- Form B: Flat face hardened and ground
- Form C: Spherical face hardened
- Form D: Serrated face tempered

Drawings



Overview of items

Order No.	Form	B	D	G	H	R	SW
02041-106010	A	11	10	M6	10	-	10
02041-106020	A	11	10	M6	20	-	10
02041-108010	A	13	13	M8	10	-	13
02041-108015	A	13	13	M8	15	-	13
02041-108030	A	13	13	M8	30	-	13
02041-110010	A	16	17	M10	10	-	17
02041-110020	A	16	17	M10	20	-	17
02041-110040	A	16	17	M10	40	-	17
02041-112010	A	20	19	M12	10	-	19
02041-112025	A	20	19	M12	25	-	19
02041-112050	A	20	19	M12	50	-	19
02041-116015	A	24	27	M16	15	-	27
02041-116030	A	24	27	M16	30	-	27
02041-116060	A	24	27	M16	60	-	27
02041-120040	A	29	32	M20	40	-	32
02041-120080	A	29	32	M20	80	-	32
02041-206010	B	11	10	M6	10	-	10
02041-206020	B	11	10	M6	20	-	10
02041-208010	B	13	13	M8	10	-	13
02041-208015	B	13	13	M8	15	-	13
02041-208030	B	13	13	M8	30	-	13
02041-210010	B	16	17	M10	10	-	17
02041-210020	B	16	17	M10	20	-	17

## Overview of items

Order No.	Form	B	D	G	H	R	SW
02041-210040	B	16	17	M10	40	-	17
02041-212010	B	20	19	M12	10	-	19
02041-212025	B	20	19	M12	25	-	19
02041-212050	B	20	19	M12	50	-	19
02041-216015	B	24	27	M16	15	-	27
02041-216030	B	24	27	M16	30	-	27
02041-216060	B	24	27	M16	60	-	27
02041-220040	B	29	32	M20	40	-	32
02041-220080	B	29	32	M20	80	-	32
02041-306010	C	11	10	M6	10	15	10
02041-306020	C	11	10	M6	20	15	10
02041-308010	C	13	13	M8	10	20	13
02041-308015	C	13	13	M8	15	20	13
02041-308030	C	13	13	M8	30	20	13
02041-310010	C	16	17	M10	10	30	17
02041-310020	C	16	17	M10	20	30	17
02041-310040	C	16	17	M10	40	30	17
02041-312010	C	20	19	M12	10	40	19
02041-312025	C	20	19	M12	25	35	19
02041-312050	C	20	19	M12	50	35	19
02041-316015	C	24	27	M16	15	50	27
02041-316030	C	24	27	M16	30	50	27
02041-316060	C	24	27	M16	60	50	27
02041-320040	C	29	32	M20	40	60	32
02041-320080	C	29	32	M20	80	60	32
02041-406010	D	11	10	M6	10	-	10
02041-406020	D	11	10	M6	20	-	10
02041-408015	D	13	13	M8	15	-	13
02041-408030	D	13	13	M8	30	-	13
02041-410020	D	16	17	M10	20	-	17
02041-410040	D	16	17	M10	40	-	17
02041-412025	D	20	19	M12	25	-	19
02041-412050	D	20	19	M12	50	-	19
02041-416030	D	24	27	M16	30	-	27
02041-416060	D	24	27	M16	60	-	27
02041-420040	D	29	32	M20	40	-	32
02041-420080	D	29	32	M20	80	-	32