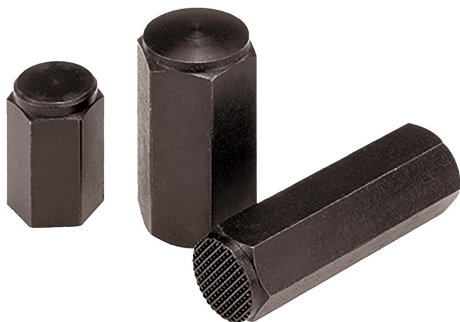


## Item description/product images



## Description

## Material:

Body high carbon steel.

## Version:

Body tempered and black oxidised.

Contact faces case-hardened.

## Note:

Fixture feet with internal thread are used as supports for fixtures or rough or machined workpieces. They can also be used as stops or thust pads in fixtures and toolmaking.

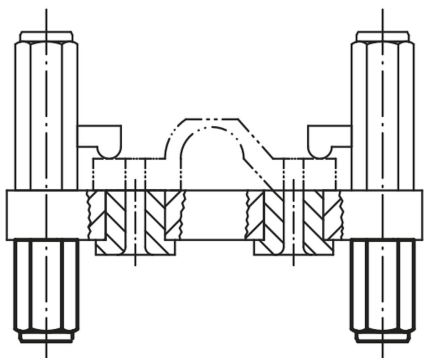
## Drawing reference:

Form A: Flat face hardened

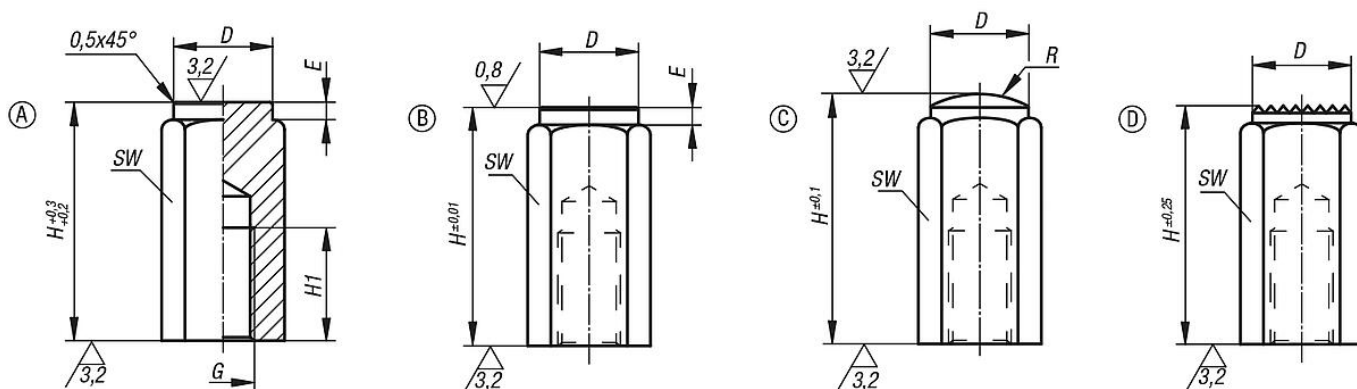
Form B: Flat face hardened and ground

Form C: Spherical face hardened

Form D: Serrated face tempered



## Drawings



## Overview of items

Order No.	Form	D	E	G	H	R	T	SW
02070-106X20	A	9,5	2	M6	20	-	12	10
02070-106X40	A	9,5	2	M6	40	-	12	10
02070-110X32	A	16,5	3	M10	32	-	18	17
02070-110X63	A	16,5	3	M10	63	-	18	17
02070-112X32	A	18,5	3	M12	32	-	18	19
02070-112X63	A	18,5	3	M12	63	-	18	19
02070-116X50	A	23	4	M16	50	-	24	24
02070-116X100	A	23	4	M16	100	-	24	24
02070-206X20	B	9,5	2	M6	20	-	12	10
02070-206X40	B	9,5	2	M6	40	-	12	10
02070-210X32	B	16,5	3	M10	32	-	18	17
02070-210X63	B	16,5	3	M10	63	-	18	17
02070-212X32	B	18,5	3	M12	32	-	18	19
02070-212X63	B	18,5	3	M12	63	-	18	19
02070-216X50	B	23	4	M16	50	-	24	24
02070-216X100	B	23	4	M16	100	-	24	24
02070-306X20	C	9,5	-	M6	20	15	12	10

## Overview of items

Order No.	Form	D	E	G	H	R	T	SW
02070-306X40	C	9,5	-	M6	40	15	12	10
02070-310X32	C	16,5	-	M10	32	30	18	17
02070-310X63	C	16,5	-	M10	63	30	18	17
02070-312X32	C	18,5	-	M12	32	35	18	19
02070-312X63	C	18,5	-	M12	63	35	18	19
02070-316X50	C	23	-	M16	50	40	24	24
02070-316X100	C	23	-	M16	100	40	24	24
02070-406X20	D	9,5	-	M6	20	-	12	10
02070-406X40	D	9,5	-	M6	40	-	12	10
02070-410X32	D	16,5	-	M10	32	-	18	17
02070-410X63	D	16,5	-	M10	63	-	18	17
02070-412X32	D	18,5	-	M12	32	-	18	19
02070-412X63	D	18,5	-	M12	63	-	18	19
02070-416X50	D	23	-	M16	50	-	24	24
02070-416X100	D	23	-	M16	100	-	24	24