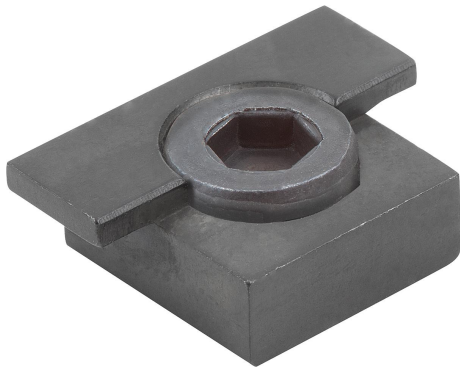


Item description/product images

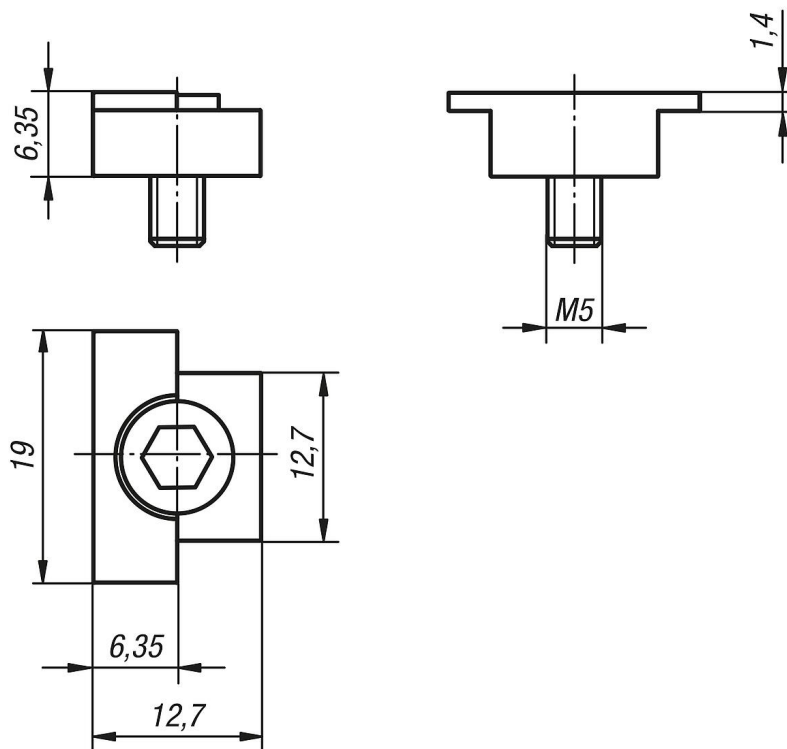


Description

Material:
Steel.

Version:
Hardened (52+2 HRC) and black oxidised.

Drawings



Overview of items

Order No.	Version
04440-12	stop