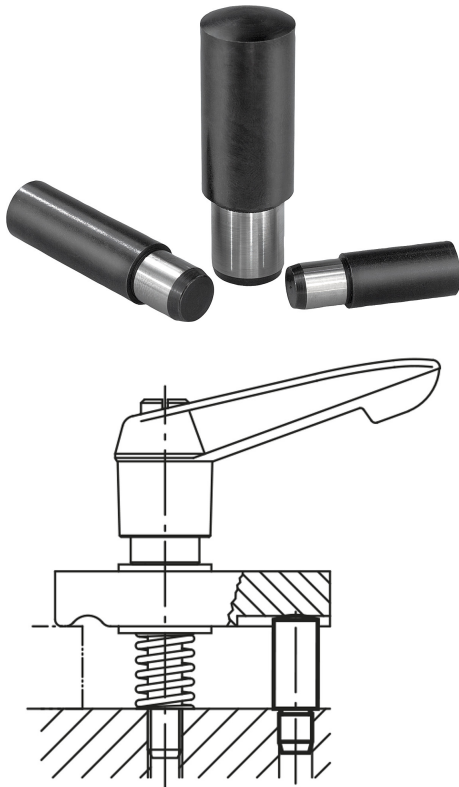


## Item description/product images

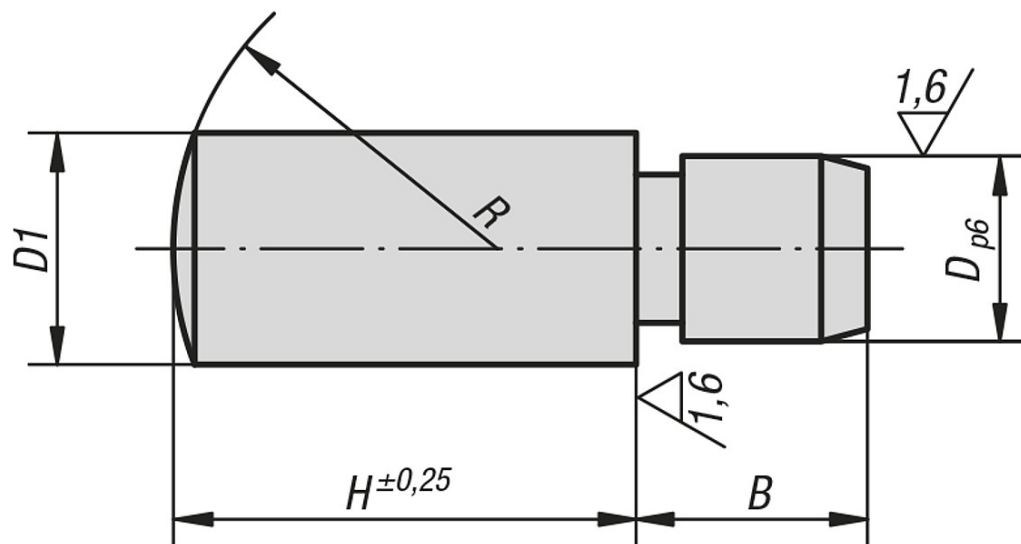


## Description

**Material:**  
Steel 1.0301.

**Version:**  
Case-hardened, black oxidised and ground.

## Drawings



## Overview of items

Order No.	H	B	D	D1	R
02130-05X	8/10/12/16	5	4	5	7
02130-06X	10/12/16/20	6	5	6	8
02130-08X	12/16/20/25	8	6	8	11
02130-10X	16/20/25/32	10	8	10	14
02130-12X	20/25/32/40	12	10	12	16
02130-14X	20/25/32/40	14	12	14	20

## Overview of items

Order No.	H	B	D	D1	R
02130-16X	25/32/40/50	16	14	16	25
02130-20X	25/32/40/50	20	16	20	28