

Item description/product images

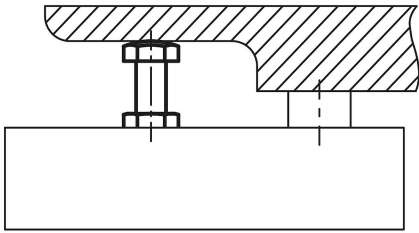


Description

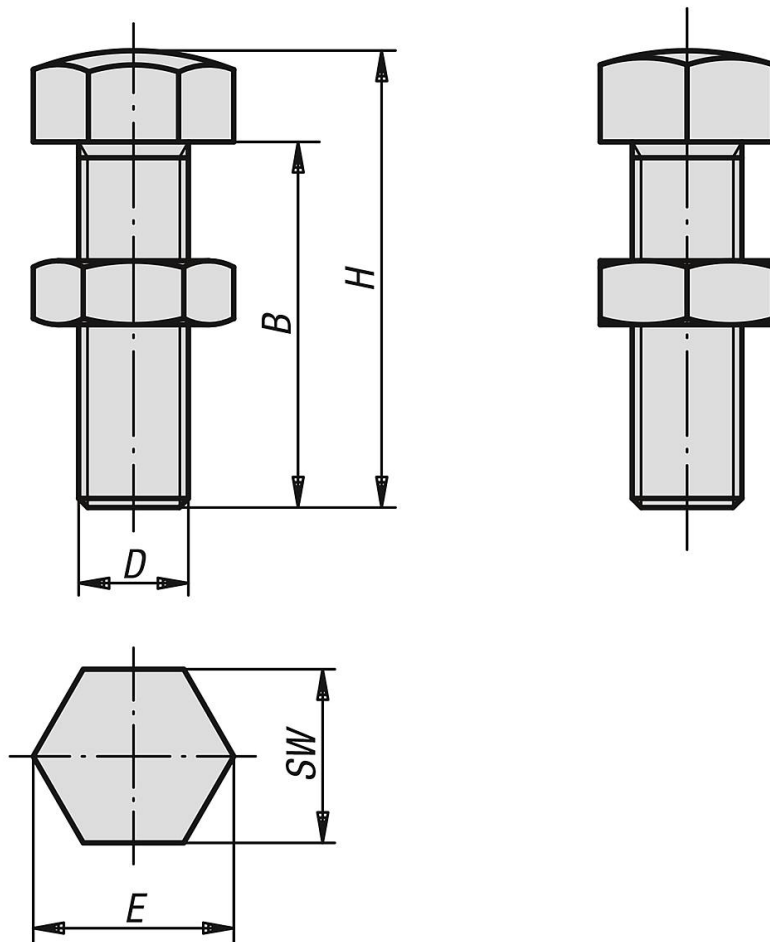
Material:

Carbon steel or brass

Version:

High-carbon steel tempered and black oxidised.
Brass bright.

Drawings



Overview of items

Order No.	Main material	B	D	E	H	SW
02153-06030	QT steel	25	M6	11,5	30	10

Overview of items

Order No.	Main material	B	D	E	H	SW
02153-06040	QT steel	35	M6	11,5	40	10
02153-06050	QT steel	45	M6	11,5	50	10
02153-08036	QT steel	30	M8	15	36	13
02153-08046	QT steel	40	M8	15	46	13
02153-08056	QT steel	50	M8	15	56	13
02153-10042	QT steel	35	M10	19,6	42	17
02153-10048	QT steel	40	M10	19,6	48	17
02153-10058	QT steel	50	M10	19,6	58	17
02153-10068	QT steel	60	M10	19,6	68	17
02153-12048	QT steel	42	M12	21,9	50	19
02153-12070	QT steel	60	M12	21,9	70	19
02153-12080	QT steel	70	M12	21,9	80	19
02153-16055	QT steel	45	M16	27,7	55	24
02153-16075	QT steel	65	M16	27,7	75	24
02153-16085	QT steel	75	M16	27,7	85	24
02153-12148	brass	42	M12	21,9	50	19
02153-16155	brass	45	M16	27,7	55	24