

## Item description/product images

**Description****Material:**

Carbon steel.

**Version:**

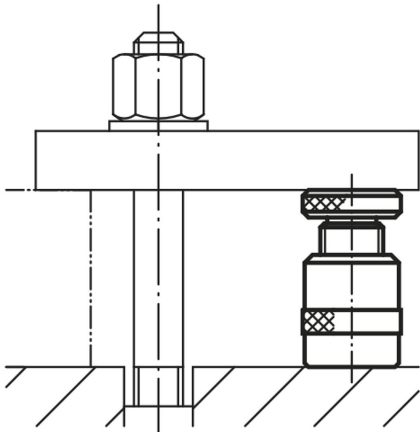
Painted, trapezoidal thread - self-locking, spindle has end lock

**Note:**

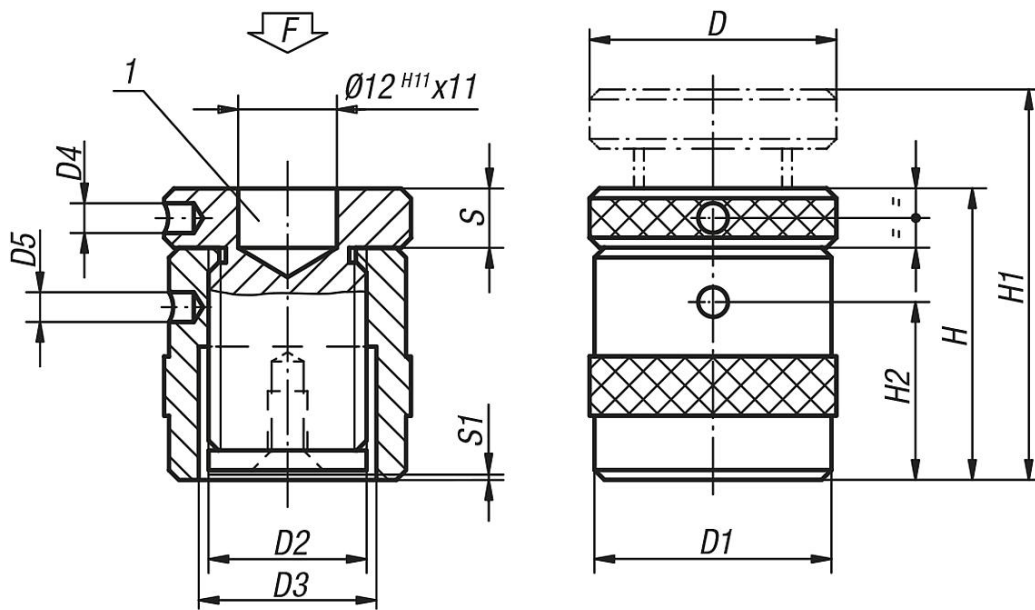
The version 02170-01 has no  $\varnothing 12$  centring hole.

**Drawing reference:**

1) centring hole for 02210



Drawings



Overview of items

Order No.	D	D1	D2	D3	D4	D5	H	H1	H2	S	S1	F max. kN
02170-01	31	31	Tr 20X4	23	4	4	38	52	23	8	2	15
02170-015	50	49	Tr 30X4	36	6	6	42	52	24	12	2	60
02170-02	50	49	Tr 30X4	36	6	6	50	72	30	12	0,5	60
02170-03	50	49	Tr 30X4	36	6	6	71	102	43	16	1,5	60
02170-04	65	70	Tr 40X7	43	6	6	100	140	58	25	2,5	100
02170-05	70	80	Tr 50X8	55	6	6	140	212	90	30	4	170
02170-06	80	100	Tr 65X10	70	6	8	190	300	126	34	5	350