

Item description/product images



Description

Material:

Carbon steel.

Version:

Tempered and black oxidised.

Note:

Can be used with

02170

02180

02182

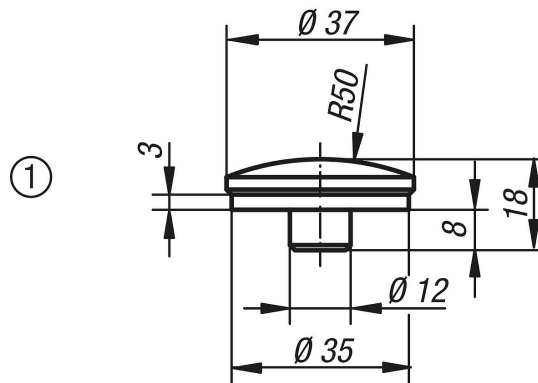
02190

02320

02330-020

02350-010

Drawings



Overview of items

Order No.	Item
02210-01	Ball End