

Item description/product images



Description

Material:

Screw and plunger stainless steel 1.4301.

Guide bush stainless steel 1.4112.

Sensor housing stainless steel.

Note:

The assured switch distance is achieved when the plunger is flush with the stop face of the guide bush. The sensor is supplied unassembled.

Installation recommendation: Glue in using e.g. Loctite 638.

Cable length: 0.3 metre.

Important: Screw the sensor in as far as it will go!

Safety:

End position feedback stops are not suitable for personal protection.

Drawing reference:

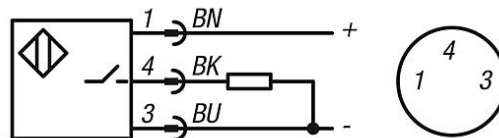
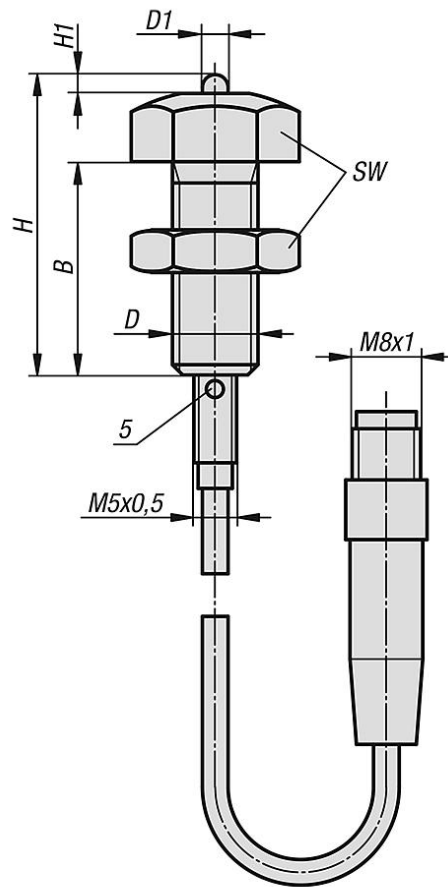
5) LED-indicator

BN = brown

BK = black

BU = blue

Drawings



Overview of items

Order No.	Size	B	D	D1	H	H1	SW
02160-080352	1	25	M8	3	35,2	2	13
02160-100352	2	25	M10	3	35,2	2	17
02160-120352	3	25	M12	3	35,2	2	19