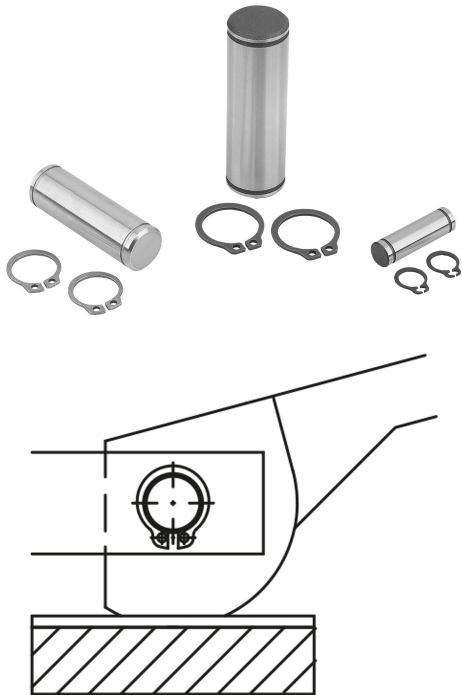


Item description/product images



Description

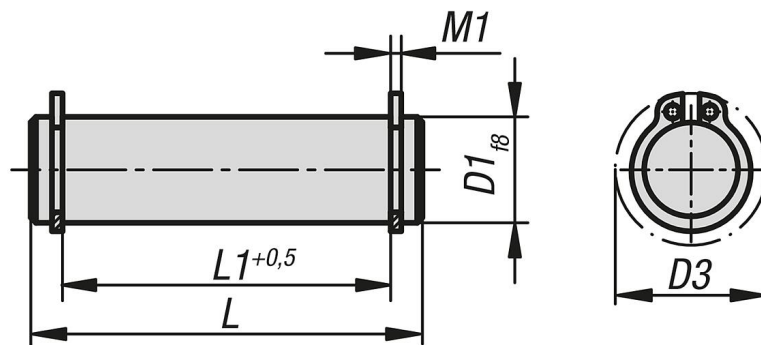
Material:
Steel or stainless steel.

Version:
Steel version:
tempered to 1000 - 1200 N/mm², black oxidised.
Stainless steel version:
tempered to 900 - 1050 N/mm², bright.

Note:
For use with:
Single cam levers 04290 and 04310.
Eye bolts 07180 and 07181.
Clevis 07620.

Advantages:
Ground OD.
High dimensional accuracy.
Suitable for use as spare part.
Matching circlips included.

Drawings



Overview of items

Order No.	Main material	D1	L	L1	M1	D3
04250-05	steel	5	18	13	0,7	10,7
04250-06	steel	6	22	17	0,8	12,2
04250-08	steel	8	30	25	0,9	15,2
04250-081	steel	8	20	16	0,9	15,2
04250-082	steel	8	27	21	0,9	15,2
04250-10	steel	10	37	32	1,1	17,6
04250-101	steel	10	25	20	1,1	17,6
04250-102	steel	10	35	29	1,1	17,6
04250-12	steel	12	46	40	1,1	19,6
04250-121	steel	12	31	25	1,1	19,6
04250-122	steel	12	37	31	1,1	19,6
04250-14	steel	14	44	37	1,1	22
04250-16	steel	16	48	41	1,1	24,4
04250-18	steel	18	58	51	1,3	26,8
04250-105	stainless steel	5	18	13	0,7	10,7
04250-106	stainless steel	6	22	17	0,8	12,2

Overview of items

Order No.	Main material	D1	L	L1	M1	D3
04250-108	stainless steel	8	20	16	0,9	15,2
04250-1081	stainless steel	8	27	21	0,9	15,2
04250-1082	stainless steel	8	30	25	0,9	15,2
04250-110	stainless steel	10	25	20	1,1	17,6
04250-1101	stainless steel	10	35	29	1,1	17,6
04250-1102	stainless steel	10	37	32	1,1	17,6
04250-112	stainless steel	12	31	25	1,1	19,6
04250-1121	stainless steel	12	37	31	1,1	19,6
04250-1122	stainless steel	12	46	40	1,1	19,6
04250-114	stainless steel	14	44	37	1,1	22
04250-116	stainless steel	16	48	41	1,1	24,4
04250-118	stainless steel	18	58	51	1,3	26,8