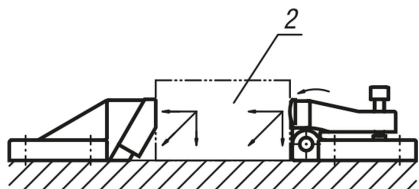


## Item description/product images



## Description

**Material:**

Body ductile iron (SG iron)  
Jaw QT steel hardened.

**Version:**

Painted black.  
Jaw bright.

**Note:**

The workpiece is clamped between side clamps and the side stops, simultaneously producing a positive down force.  
Side clamps and stops are secured with DIN 912 cylinder screws. A secure clamping is ensured when side clamps and side stops are used together.

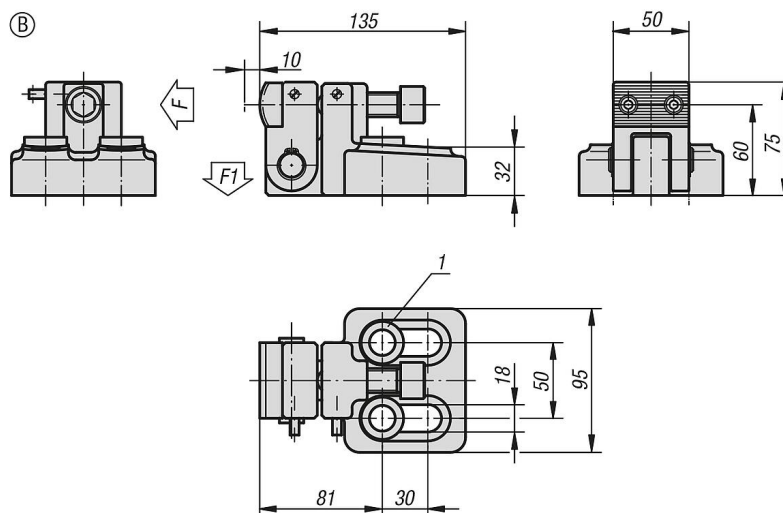
**Form B:**

2 conical seats and 2 spherical washers for M12 and M16 are supplied.

**Drawing reference:**

- 1) spherical washer set for M12 and M16
- 2) workpiece

## Drawings



## Overview of items