

Item description/product images

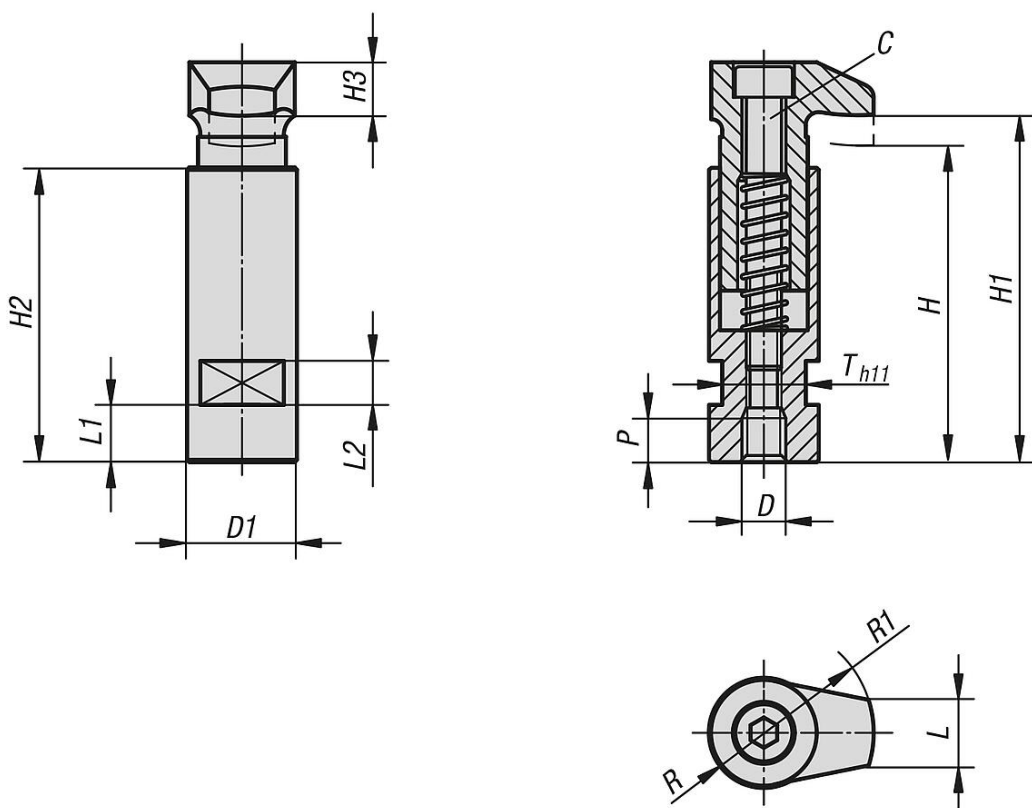


Description

**Material:**  
Carbon steel.

**Version:**  
Tempered and black oxidised.

Drawings



Overview of items

Order No.	C	D	D1	H	H1	H2	H3	L	L1	L2	P	R	R1	T	Clamping force kN
04371-06	M6	M6	20	56	60	53	10	11	9	8	8	9	20	17	4,82
04371-08	M6	M8	20	56	60	53	10	11	9	8	8	9	20	17	8,77
04371-10	M8	M10	25	72	79	67	12	15	13	10	10	12	25	19	13,9
04371-12	M10	M12	32	88	96	82	16	17	18	12	12	14	32	27	20,2
04371-16	M12	M16	40	109	118	102	20	20	22	12	16	18	40	32	37,8

