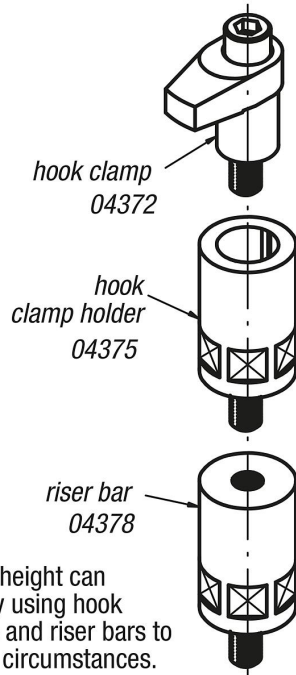


Item description/product images



The clamping height can be adjusted by using hook clamp holders and riser bars to suit individual circumstances.

Description

Material:

Carbon steel, tempered.

Version:

Form A-C: black oxidised. Shaft diameter ground.

Form D: black oxidised.

Note:

The stated clamping forces ($F_{max.}$) and tightening torques are valid within the stated clamping ranges (H5).

Advantages:

Compact design for use in the tightest of spaces
Diverse versions and sizes

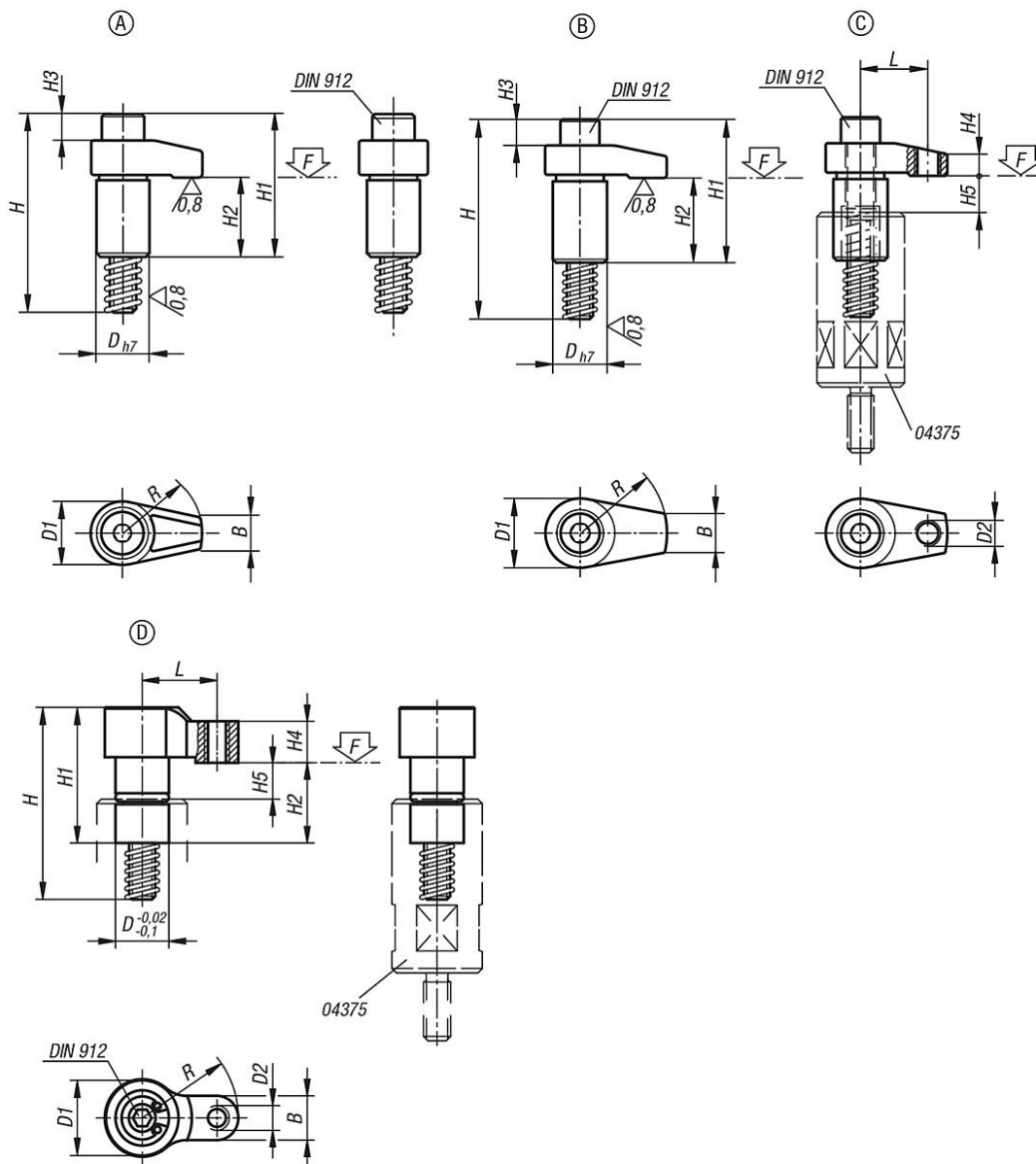
Accessory:

Hook clamp holders 04375.

Hook clamp holders 04379.

Extensions for jack screws 04378.

Drawings



Overview of items

| Order No. | Form | D | D1 | D2 | H | H1 | H2 | H3 | H4 | H5 max. clamping range | B | L | R | Socket head screw DIN 912 | Tightening torque max. Nm | F max. kN |
|--------------|------|----|----|-----|-----|------|------|----|-----|---------------------------------|----|----|----|---------------------------------|---------------------------------|--------------|
| 04372-110030 | A | 20 | 25 | - | 75 | 54 | 30 | 9 | 10 | 12 | 12 | - | 30 | M10x65 | 37,2 | 13 |
| 04372-110040 | A | 20 | 25 | - | 75 | 54 | 30 | 9 | 10 | 12 | 12 | - | 40 | M10x65 | 31,4 | 9,8 |
| 04372-208020 | B | 18 | 22 | - | 58 | 37 | 23 | 2 | 7 | 10 | 10 | - | 20 | M8x50 | 37,2 | 13,6 |
| 04372-208025 | B | 18 | 22 | - | 58 | 37 | 23 | 2 | 7 | 10 | 10 | - | 25 | M8x50 | 32,3 | 10,9 |
| 04372-208030 | B | 18 | 22 | - | 58 | 37 | 23 | 2 | 7 | 10 | 10 | - | 30 | M8x50 | 29,4 | 9 |
| 04372-212040 | B | 25 | 32 | - | 92 | 66 | 39 | 11 | 12 | 15 | 18 | - | 40 | M12x80 | 58,8 | 17,5 |
| 04372-212050 | B | 25 | 32 | - | 92 | 68 | 39 | 11 | 12 | 15 | 18 | - | 50 | M12x80 | 49 | 14 |
| 04372-212060 | B | 25 | 32 | - | 92 | 68 | 39 | 11 | 12 | 15 | 18 | - | 60 | M12x80 | 45,1 | 11,6 |
| 04372-216040 | B | 32 | 36 | - | 101 | 75 | 39 | 15 | 15 | 15 | 22 | - | 40 | M16x85 | 166,6 | 37,9 |
| 04372-216050 | B | 32 | 36 | - | 101 | 75 | 39 | 15 | 15 | 15 | 22 | - | 50 | M16x85 | 147 | 30,4 |
| 04372-216060 | B | 32 | 36 | - | 101 | 75 | 39 | 15 | 15 | 15 | 22 | - | 60 | M16x85 | 127,4 | 25,2 |
| 04372-312140 | C | 25 | 32 | M12 | 92 | 66 | 39 | 11 | 10 | 15 | 18 | 31 | 40 | M12x80 | 58,8 | 22,6 |
| 04372-312150 | C | 25 | 32 | M12 | 92 | 68 | 39 | 11 | 13 | 15 | 18 | 38 | 50 | M12x80 | 49 | 18,5 |
| 04372-312160 | C | 25 | 32 | M12 | 92 | 68 | 39 | 11 | 13 | 15 | 18 | 46 | 60 | M12x80 | 45,1 | 15,2 |
| 04372-316150 | C | 32 | 36 | M12 | 101 | 75 | 39 | 15 | 16 | 15 | 22 | 38 | 50 | M16x85 | 147 | 38 |
| 04372-316160 | C | 32 | 36 | M12 | 101 | 75 | 39 | 15 | 16 | 15 | 22 | 46 | 60 | M16x85 | 127,4 | 33 |
| 04372-404118 | D | 10 | 14 | M4 | 37 | 24,5 | 14,5 | - | 7,5 | 3 | 8 | 14 | 18 | M4x30 | 2,7 | 2 |

Overview of items

| Order No. | Form | D | D1 | D2 | H | H1 | H2 | H3 | H4 | H5 max. clamping range | B | L | R | Socket head screw DIN 912 | Tightening torque max. Nm | F max. kN |
|--------------|------|----|----|----|----|------|------|----|-----|------------------------------|----|----|----|---------------------------------|---------------------------------|--------------|
| 04372-406122 | D | 12 | 16 | M5 | 44 | 30,5 | 17,5 | - | 9,5 | 4 | 10 | 17 | 22 | M6x35 | 7 | 3,5 |