

Item description/product images

**Description****Material:**

Carbon steel, tempered.

Version:

Black oxidised. Shaft OD ground.

Note:

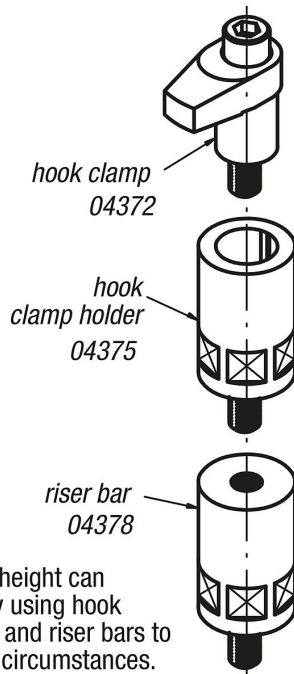
The stated clamping forces (F max.) and tightening torques are valid within the stated clamping ranges (H5).

Advantages:

Compact design for use in the tightest of spaces
Diverse versions and sizes

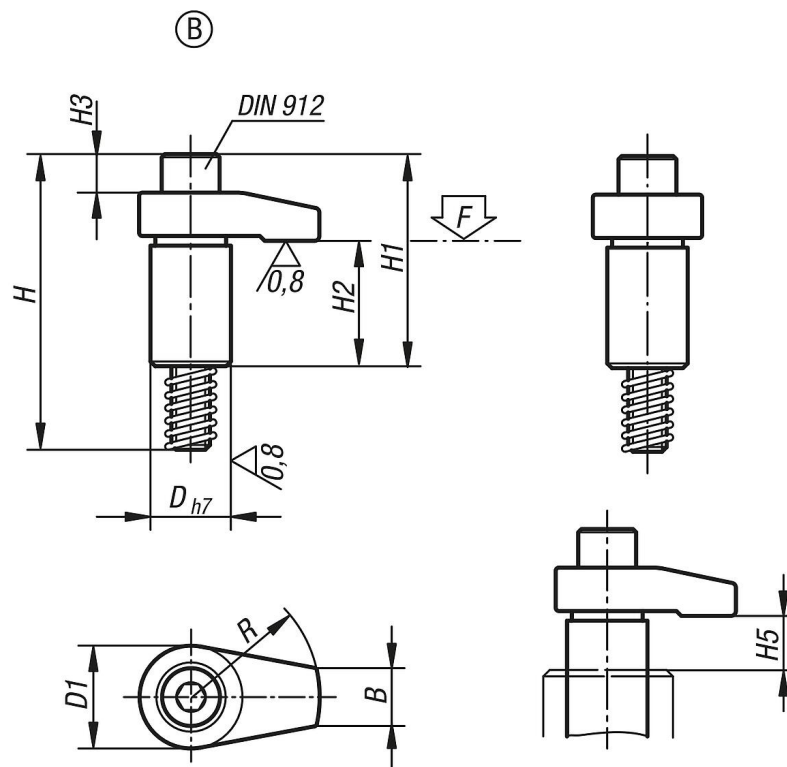
Accessory:

Hook clamp holders 04375.
Hook clamp holders 04379.
Extensions for jack screws 04378.



The clamping height can be adjusted by using hook clamp holders and riser bars to suit individual circumstances.

Drawings



Overview of items

Order No.	Form	D	D1	H	H1	H2	H3	H4	H5 max. clamping range	B	R	Socket head screw DIN 912	Tightening torque max. Nm	F max. kN
04372-208020	B	18	22	58	37	23	2	7	10	10	20	M8x50	37,2	13,6
04372-208025	B	18	22	58	37	23	2	7	10	10	25	M8x50	32,3	10,9
04372-208030	B	18	22	58	37	23	2	7	10	10	30	M8x50	29,4	9
04372-212040	B	25	32	92	66	39	11	12	15	18	40	M12x80	58,8	17,5
04372-212050	B	25	32	92	68	39	11	12	15	18	50	M12x80	49	14
04372-212060	B	25	32	92	68	39	11	12	15	18	60	M12x80	45,1	11,6
04372-216040	B	32	36	101	75	39	15	15	15	22	40	M16x85	166,6	37,9
04372-216050	B	32	36	101	75	39	15	15	15	22	50	M16x85	147	30,4
04372-216060	B	32	36	101	75	39	15	15	15	22	60	M16x85	127,4	25,2