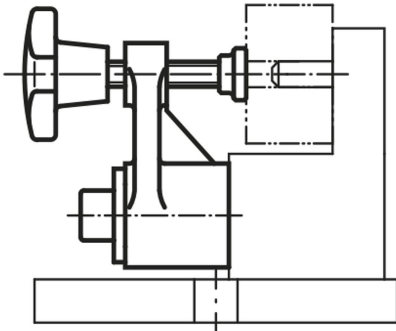


Item description/product images



Description

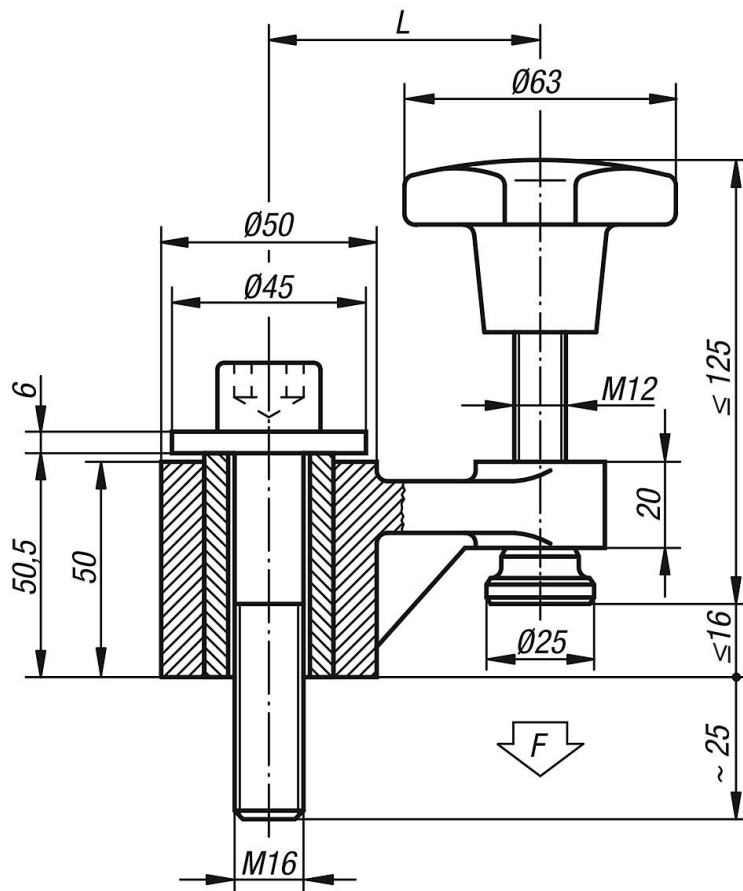
Material:

Body malleable iron.
Sleeve carbon steel 1.1191.
Screw carbon steel 1.1181.
Thrust pad mild steel 1.0301.

Version:

Painted.
Thrust pads case-hardened.

Drawings



Overview of items

Order No.	L	Clamping force N
04390-01	63	5000
04390-02	100	3000