

Item description/product images



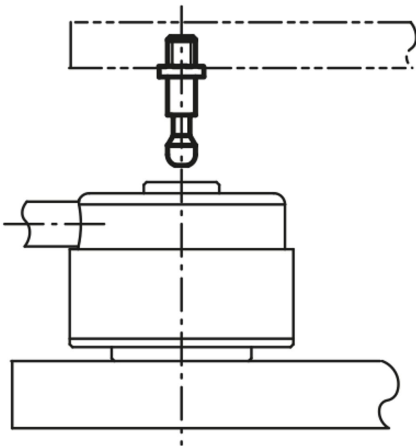
**Description**

**Material:**

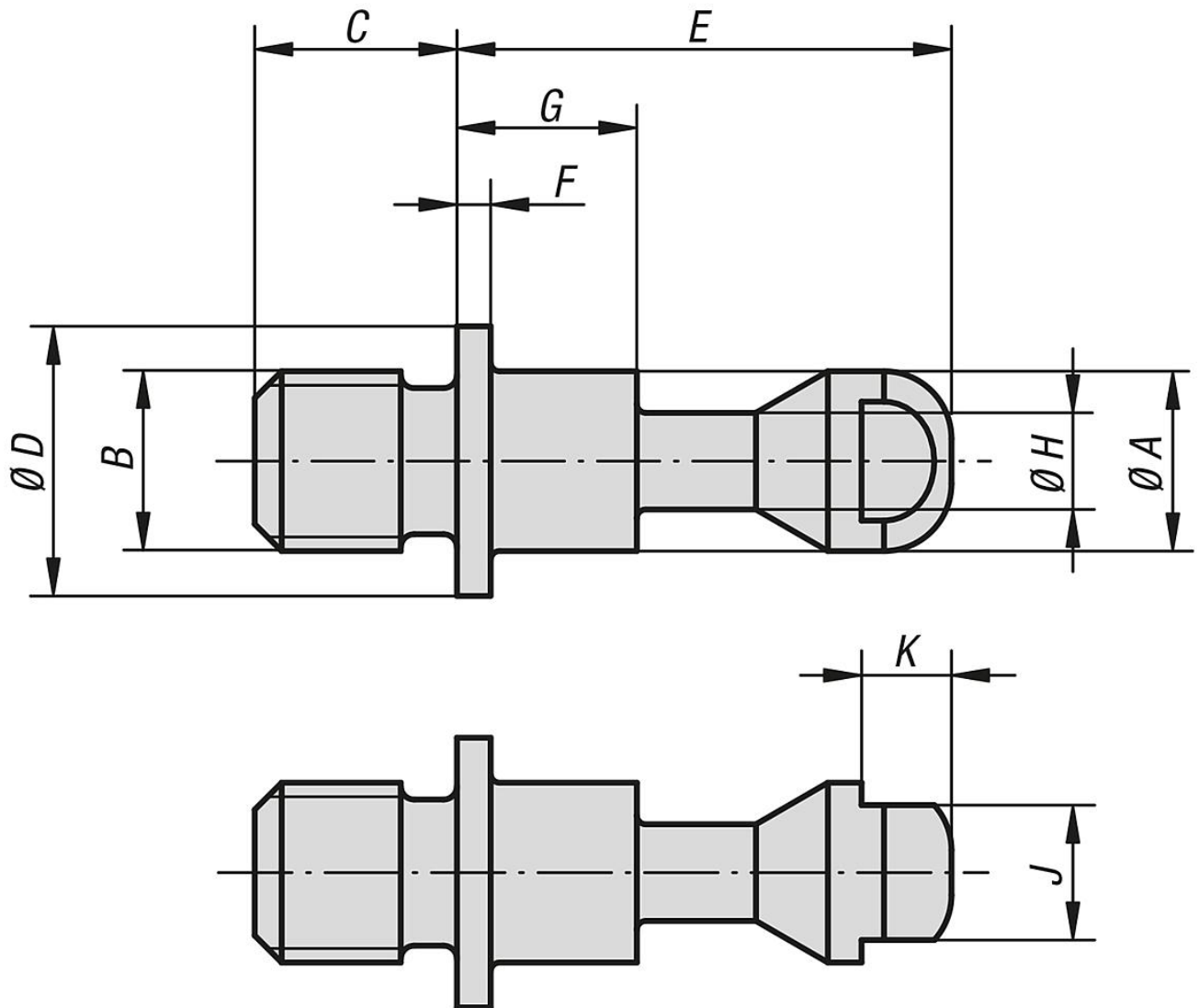
Carbon steel.

**Version:**

Tempered and black oxidised.



Drawings



Overview of items

Order No.	A	B	C	D	E	F	G	H	J	K	Suitable for
04400-1412013	12	M12	13	20	38	2	21,5	6,5	10	4	04400-506501
04400-1416017	12	M16	17	20	38	2	21,5	6,5	10	4	04400-506501
04400-1516017	16	M16	17	25	48	2,5	28	9,5	13	5	04400-638001
04400-1520021	16	M20	21	25	48	2,5	28	9,5	13	5	04400-638001