

Item description/product images



Description

Material:

Housing, clamping ring and handles, carbon steel.
Grip thermoset PF 31.

Version:

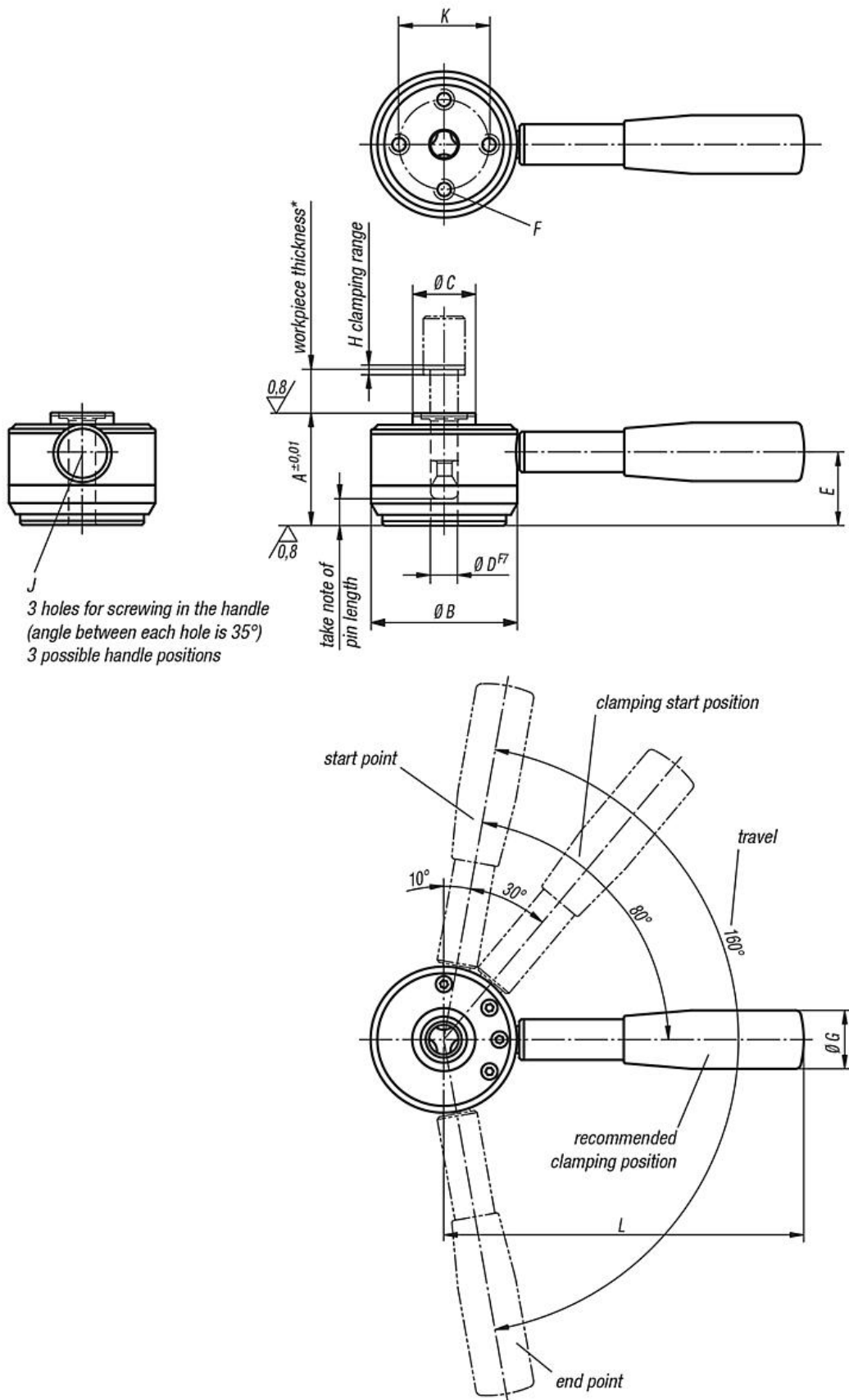
Housing and clamping ring hardened and black oxidised.
Handles black oxidised.
Grip black.

Note:

When clamping with a high force clamping pin the recommended workpiece tolerances must be maintained. The grip lever must be lay between the recommended clamping position and end point for safe clamping.

* Max. workpiece thickness see clamping pin 04400 (dimension C).

** Permitted manual force for handle.



J
3 holes for screwing in the handle
(angle between each hole is 35°)
3 possible handle positions

Overview of items

| Order No. | A | B | C | D | E | F | G | H | J | K | L | Clamping force N | Recommended workpiece thickness tolerance | Hand force FH N | Holding force N |
|--------------|----|----|----|----|----|--------|----|-----|----|----|-----|------------------|---|-----------------|-----------------|
| 04400-506501 | 50 | 65 | 28 | 12 | 36 | M8x14 | 26 | 2 | 10 | 40 | 160 | 6000 | ±0,5* | 600** | 8000 |
| 04400-638001 | 63 | 80 | 34 | 16 | 45 | M10x18 | 28 | 2,5 | 12 | 50 | 180 | 8000 | ±0,8* | 600** | 14000 |