

## Item description/product images

**Description****Material, version:**

Steel, black oxidised.

**Note:**

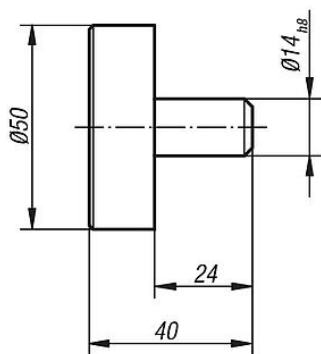
The travel path is 10 mm. Self-locking occurs in any position within only 2 mm of clamp travel, so workpieces with tolerances of up to 1.5 mm can be safely clamped. The Actima clamping device can be mounted in any horizontal or vertical position. Standard parts enable further applications and are available as optional accessories. All parts of the cam system subject to heavy loads are case-hardened (thrust sleeve and accessories only if specified).

The maximum permissible clamping force is approximately 4905 N.

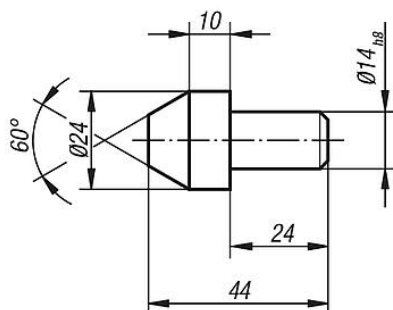
## Item description/product images



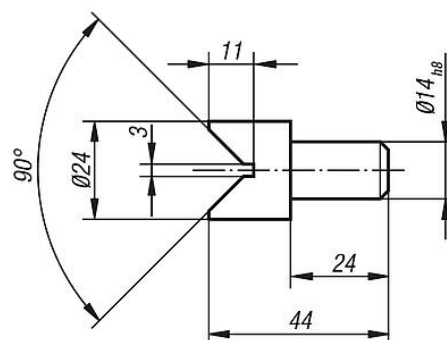
## Drawings



plate



conus



prism

## Overview of items

Order No.	Item
04410-02	Plate
04410-03	Conus
04410-04	Prism

