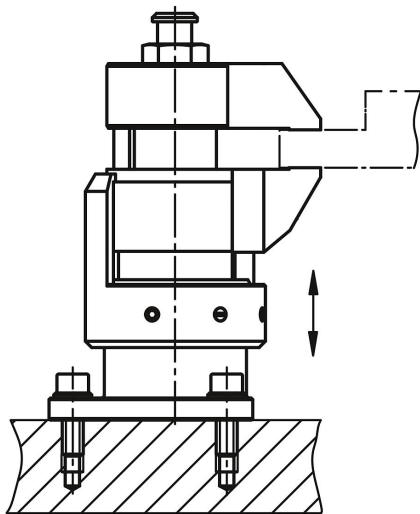
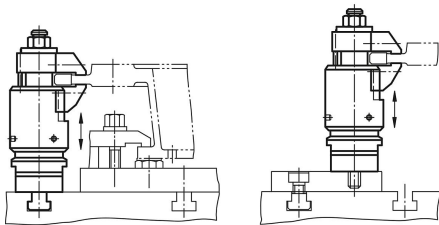


Item description/product images



Description

Material:

Base body and jaws steel.
Housing aluminium.

Version:

Body nitrided, black oxidised and ground.
Jaws nitrided and black oxidised.
Housing red anodised.

Note:

The floating clamp is used to clamp and support overhanging clamping points on components. It prevents vibrations and deflection during machining.

Type of operation:

1. Push the floating clamp down.
2. Pivot the jaws to the stop. The floating clamp contacts the bottom of the workpiece with a light spring force.
3. Tighten the floating clamp with the SW 18 hexagon nut (note the min. and max. torque). During clamping the workpiece is clamped and simultaneously supported.
4. Reverse the process to release.

Assembly:**Form A:**

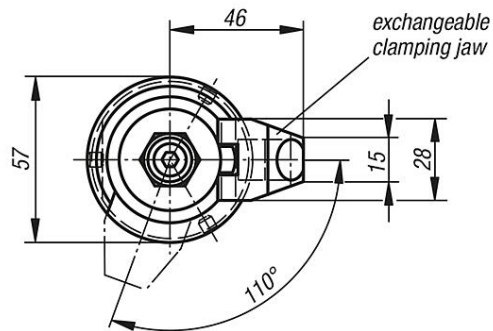
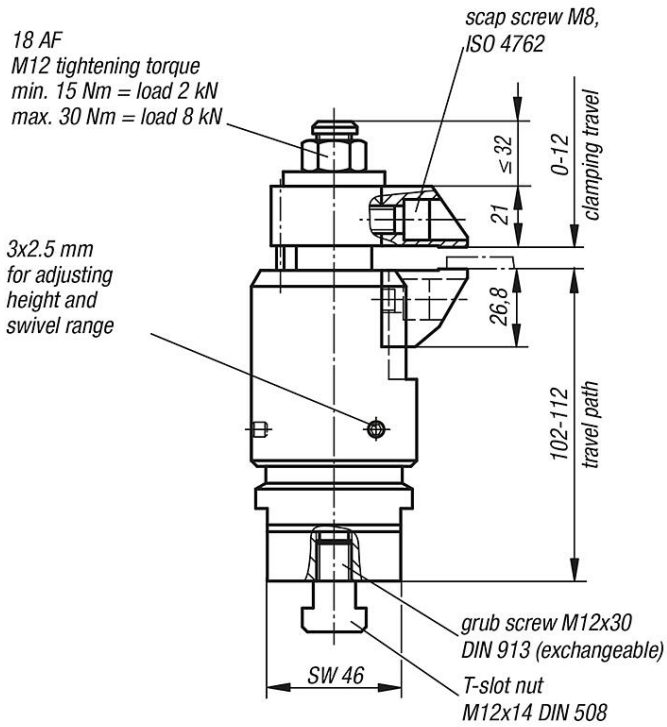
Fasten the floating clamp to the fixture with the M12 screw.
Adjust the height stop and swivel range using the red sleeve and lock with the 3x2.5 mm grub screws. When setting the height leave generous clearance above.
For safe operation the M12 tapped hole must always be closed.
For specific clamping applications the standard jaws can be altered or replaced.

Form B:

Fasten floating clamp with M6 fastening hole to a fixture.
Adjust the height stop and pivot range with the red adjusting sleeve and clamp with grub screws (4x AF 2.5). When setting the height limit, allow ample play at the top.
For specific clamping situations, the standard jaw plates can be modified or replaced.

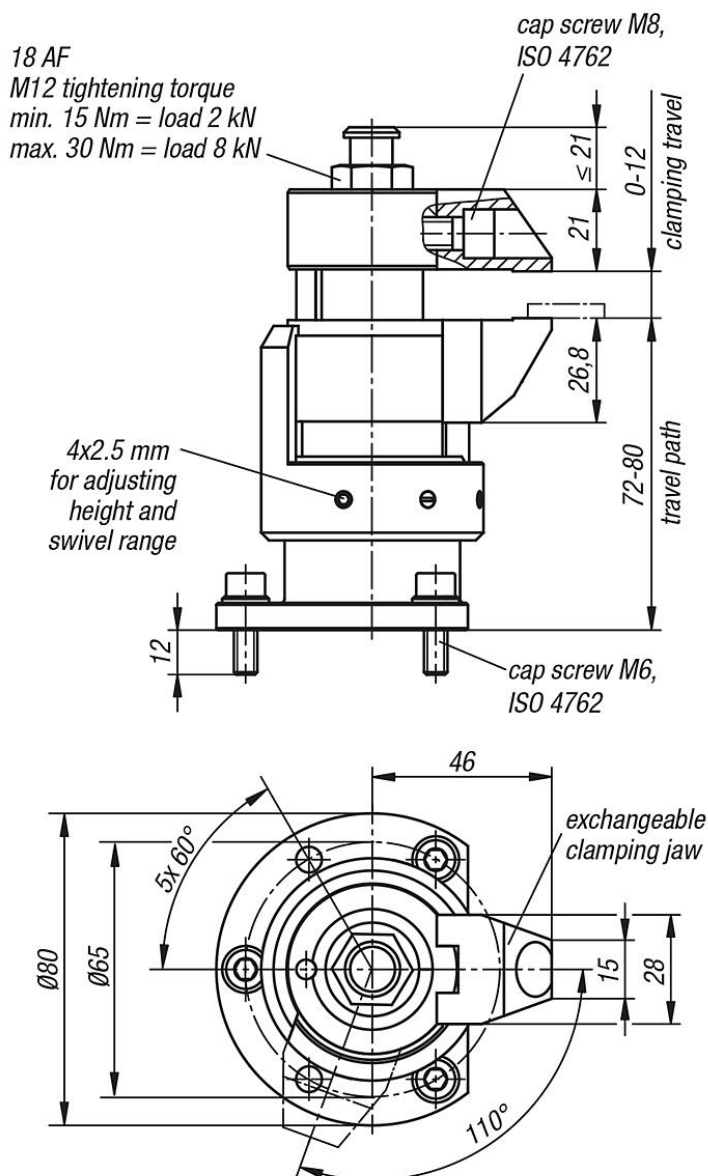
Drawings

Ⓐ



Drawings

Ⓑ



Overview of items

Order No.	Form	Travel path	max. clamping travel	Load capacity N	Clamping force N
04420-100812	A	10 mm	12	8000	8000
04420-080812	B	8	12	8000	8000