

Item description/product images



Description

Material:

Steel.

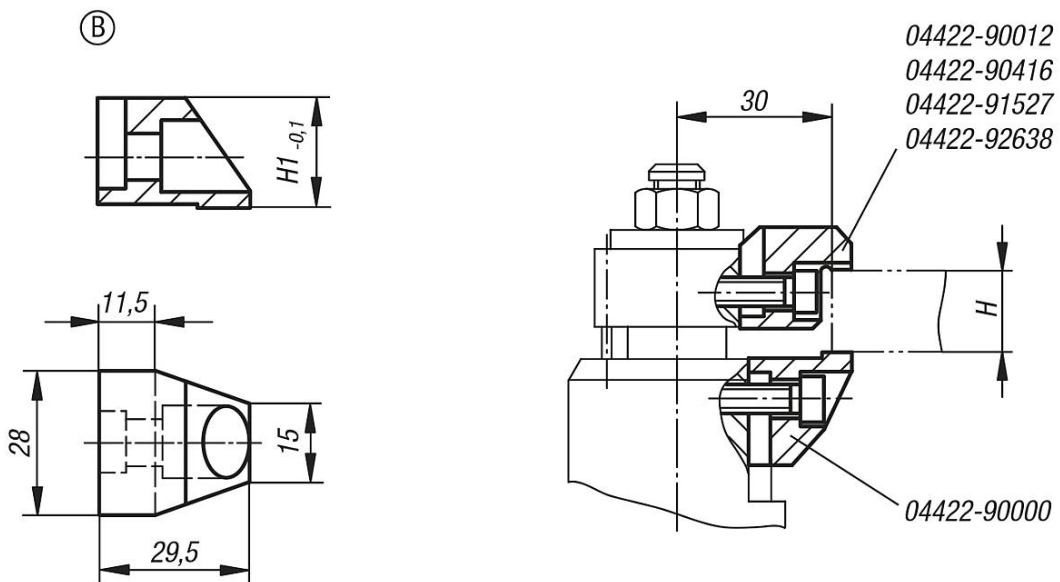
Version:

Nitrided and black oxidised.

Note:

The clamping jaws can be used for floating clamps to increase the clamping range.

Drawings



Overview of items

Order No.	Form	Version	H clamping range	H1
04422-90012	B	standard upper jaw	0 - 12	21