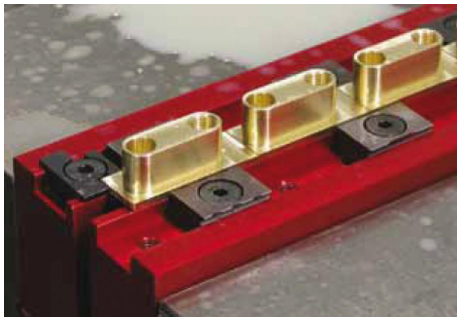
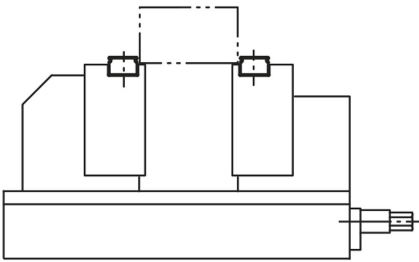


Item description/product images



Description

Material:

Steel.

Version:

Hardened (52+2 HRC) and black oxidised.

Note:

Talon grips are meant for installing into vice jaw plates. A slot with tapped hole is sufficient for mounting. The sharp edges on the talons bite into the workpiece and prevent lateral and horizontal movement.

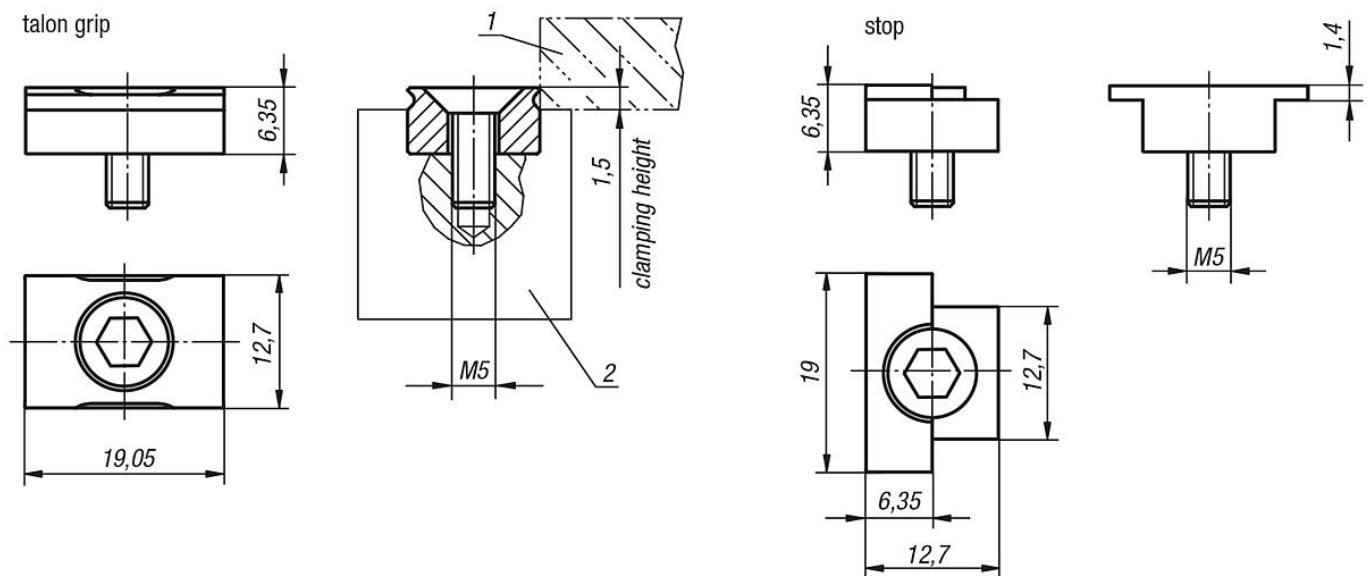
- Positive clamping for high cutting speeds.
- Low clamping height of 1.5 mm (saves material costs).
- The contour of the talons produces a slight pull-down effect.

A matching stop is available as an accessory.

Drawing reference:

- 1) workpiece
- 2) clamping jaw

Drawings



Overview of items

Order No.	Version
04440-1219	talon grip
04440-12	stop