

Item description/product images



Description

Material:

Clamping element steel or brass.

Version:

Steel hardened.

Note:

Also known as pitbull clamps.

Extremely space-saving design.

No protruding edges due to lateral clamping.

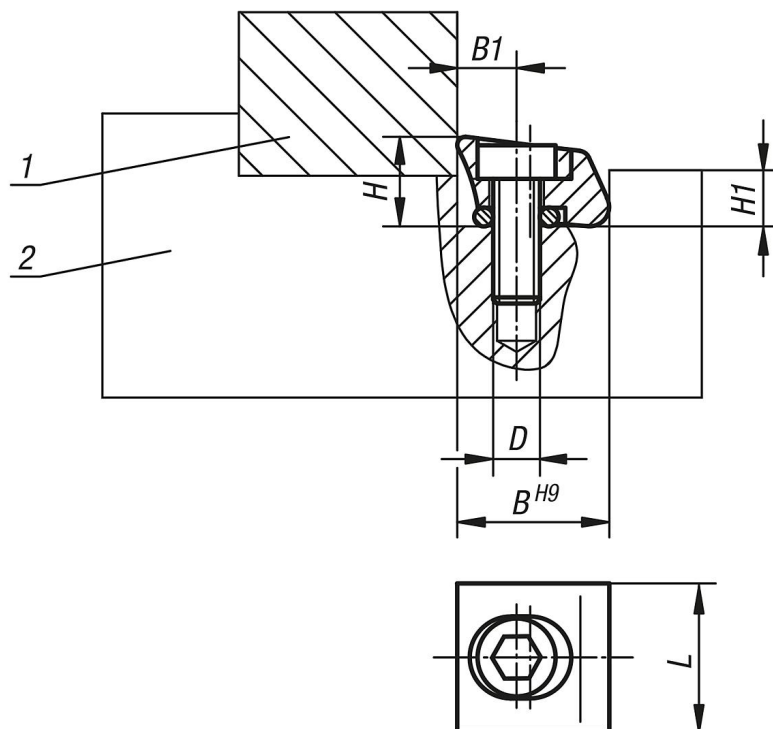
Positive down force.

Drawing reference:

1) workpiece

2) Fixture

Drawings



Overview of items

Order No.	Version	Main material	D	B	B1	H	H1	L	Clamping travel	Clamping force kN	Tightening torque max. Nm
04441-110	with knife edge	steel	M2,5X8	9,5	3,8	6	3,6	9,5	0,15	2,8	1,8
04441-113	with knife edge	steel	M4X12	12,7	5,1	8	4,8	13	0,4	6,6	5,6
04441-119	with knife edge	steel	M6X16	19,05	7,6	11,5	7,2	19	0,6	16	22,5
04441-210	with blunt edge	steel	M2,5X8	9,5	3,8	6	3,6	9,5	0,15	2,8	1,8
04441-213	with blunt edge	steel	M4X12	12,7	5,1	8	4,8	13	0,4	6,6	5,6
04441-219	with blunt edge	steel	M6X16	19,05	7,6	11,5	7,2	19	0,6	16	22,5
04441-310	with blunt edge	brass	M2,5X8	9,5	3,8	6	3,6	9,5	0,15	0,9	0,56
04441-313	with blunt edge	brass	M4X12	12,7	5,1	8	4,8	13	0,4	1,8	2,8

Overview of items

Order No.	Version	Main material	D	B	B1	H	H1	L	Clamping travel	Clamping force kN	Tightening torque max. Nm
04441-319	with blunt edge	brass	M6X16	19,05	7,6	11,5	7,2	19	0,6	4,2	5,6