

Item description/product images



Description

Material:

Body steel.  
Jaw mild steel.  
Centring bush with collar carbon steel.

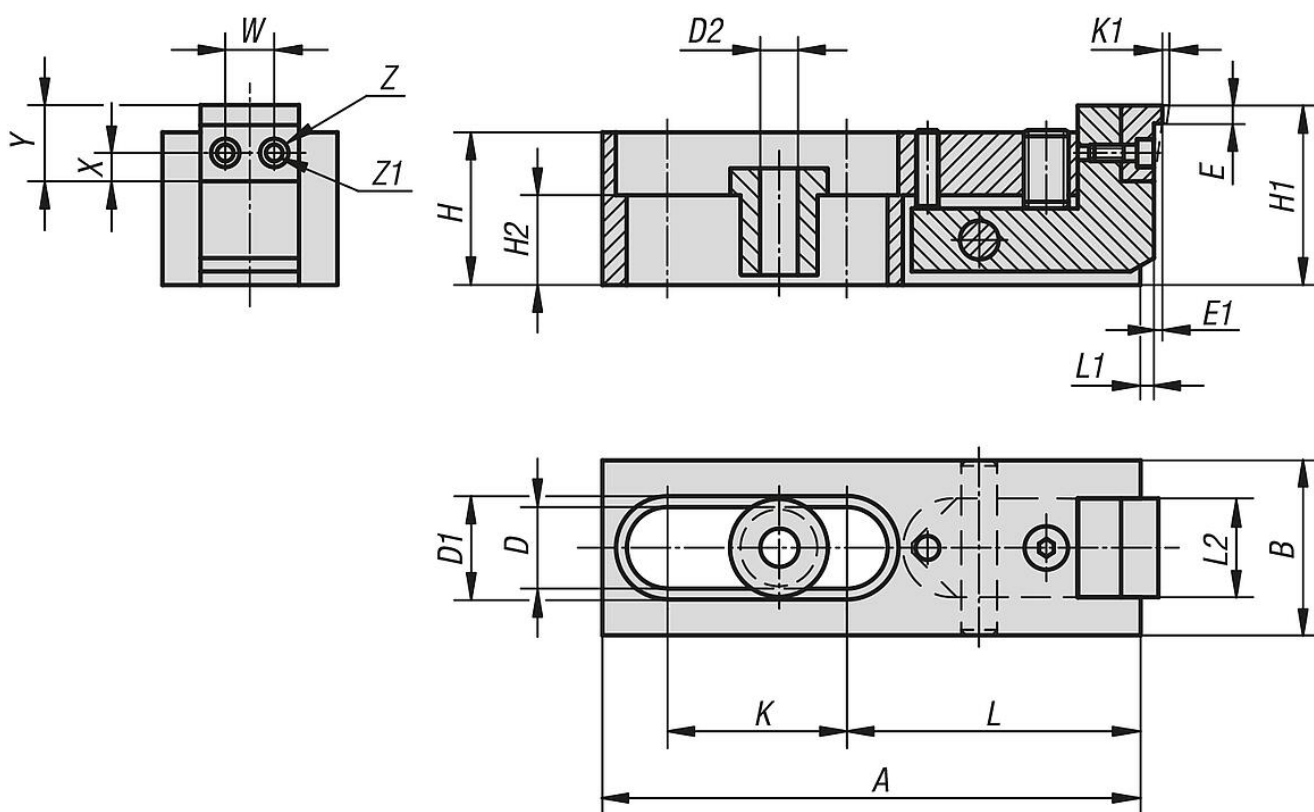
Version:

Black oxidised.  
Jaw plates case-hardened.

Note:

These flat design side clamps are ideal for machining low profile workpieces. The hardened jaws also provide positive down force.

Drawings



Overview of items

Order No.	A	B	D	D1	D2	E	E1	H	H1	H2	K	K1	L	L1	L2	W	X	Y	Z	Z1	F=Retaining force N
04480-006	80	24	12,2	16	6,5	2,5	0,6	21	25,5	9	25,5	2	44,5	2,5	13,5	7	4,5	11	5	3	3000
04480-010	120	39	18,2	24	10,5	4	1	34	40	20	40,5	2,5	65,5	4	21,5	10	6	15	8	4,5	16000
04480-016	186	60	26,2	35	17	7	1,5	51	59	22	60,5	4	105	6,5	35,5	16	9	24	14	9	31000

