

Item description/product images

**Description****Material:**

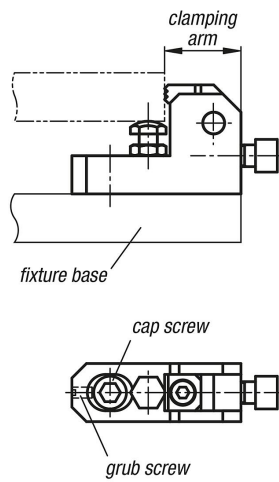
Housing and arm carbon steel.
Jaw tool steel.

Version:

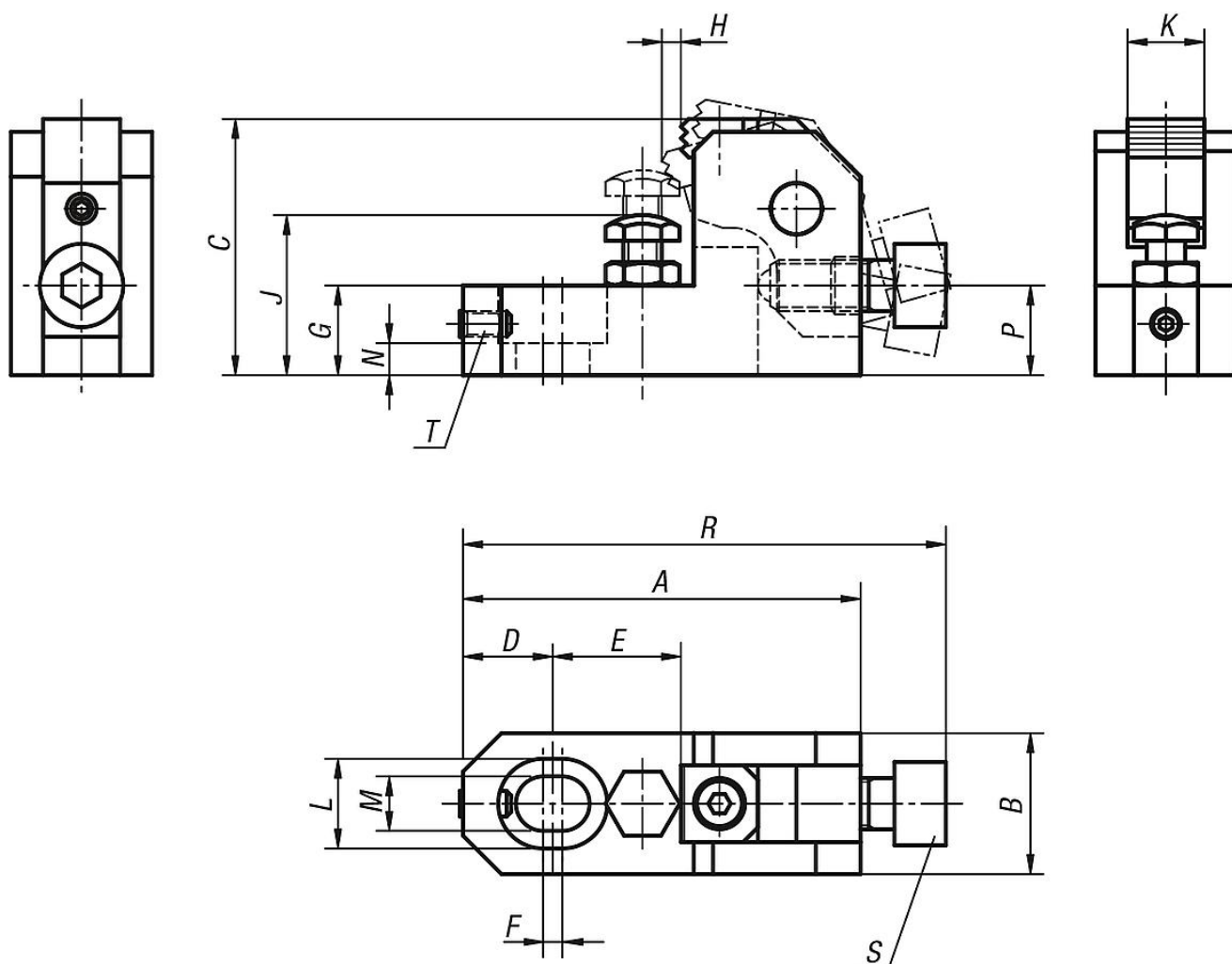
Housing tempered and black oxidised.
Arm black oxidised.
Jaw tempered and black oxidised.

Drawing reference:

T) grub screw
S) ball pressure screw



Drawings



Overview of items

Order No.	A	B	C	D	E	F	G	H	J	K	L	M	N	P	R	S	T	F=Retaining force N	Tightening torque Nm
04485-02508	62	22	40	14	20	3	14	3	25-32	12	14	8,5	5	14	75,5	M8x20	M4x8	6000	15
04485-03210	78	25	50	18	25	4	18	3,7	32-40	16	17,5	11	7	17,5	95	M10x25	M5x10	10000	30
04485-04012	93	32	60	21	30	5	21	4,5	40-48	20	20	13	8	21	113	M12x30	M6x12	17000	65
04485-04816	124	38	80	28	40	6	27	6	48-63	25	26	17	10	28	151	M16x40	M8x16	25000	130