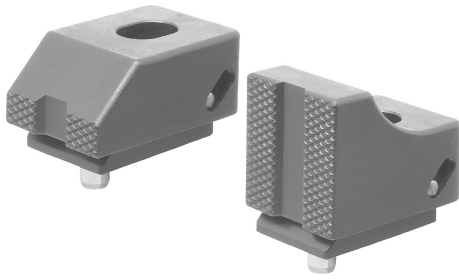


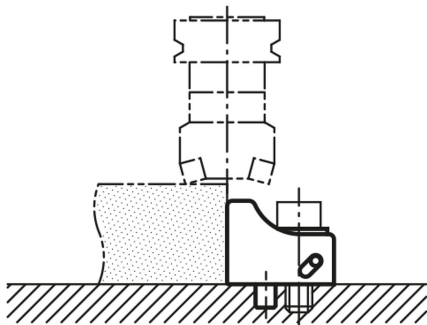
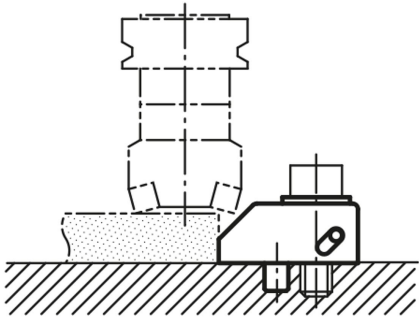
Item description/product images



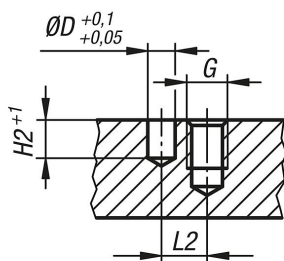
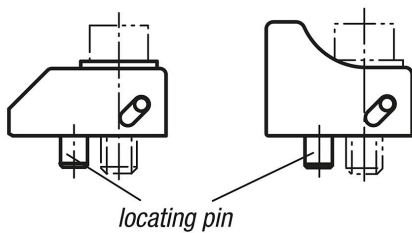
Description

Material:
Carbon steel.

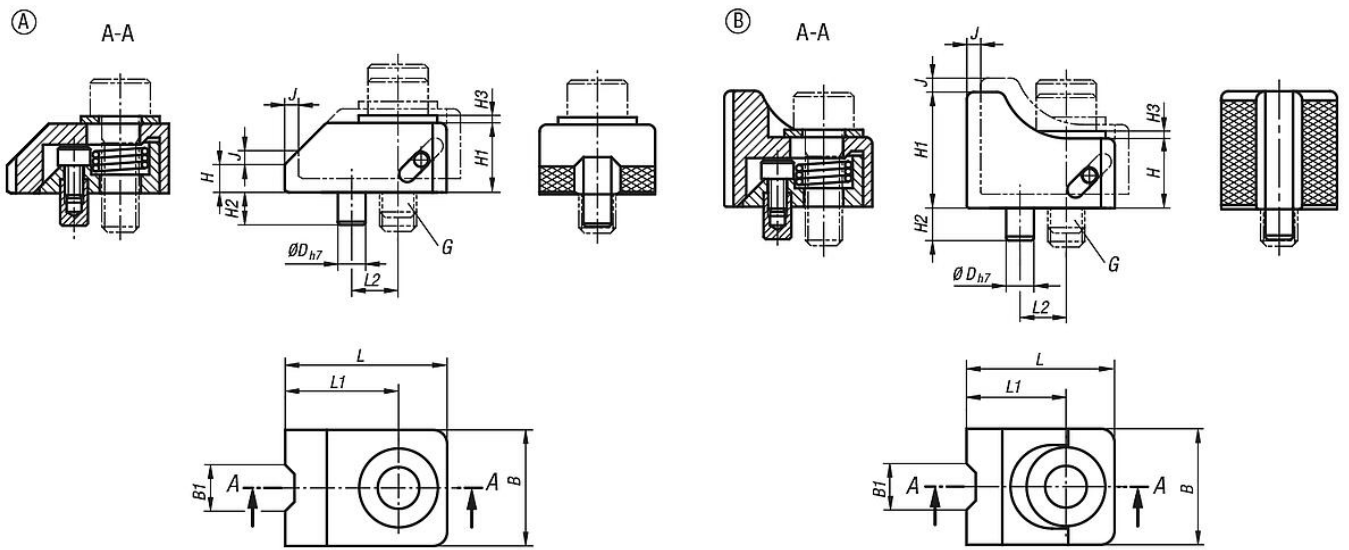
Version:
Tempered and black oxidised.



mounting instructions:



Drawings



Overview of items