

商品描述/产品说明



产品说明

材料：
钢制活塞杆、压力管。
加注介质：油，氮气。

规格：
经镀铬处理的活塞杆。
针对抗锈钢制 $\varnothing 4$ 活塞杆。
经涂漆处理的黑色压力管。

提示：
单独充气的气弹簧不予以更换。
气弹簧为免维护型，其封闭系统内部充有高压氮气。内腔中额外存有一个确定的油量，用于终端位置减振和润滑。气弹簧在高压管的埋头螺栓处配备止回阀，由此可以降低后续推力。

尺寸 04/12 和 06/15 气弹簧的活塞杆必须朝下放置和安装。如果尺寸超过 08/19，可任进行存放和安装。终端位置阻尼器只有和活塞杆朝下作用时才有效。
受其物理特性限制，气弹簧充气时产生的公差不得超过额定推力 $\pm 5\%$ 的范围。

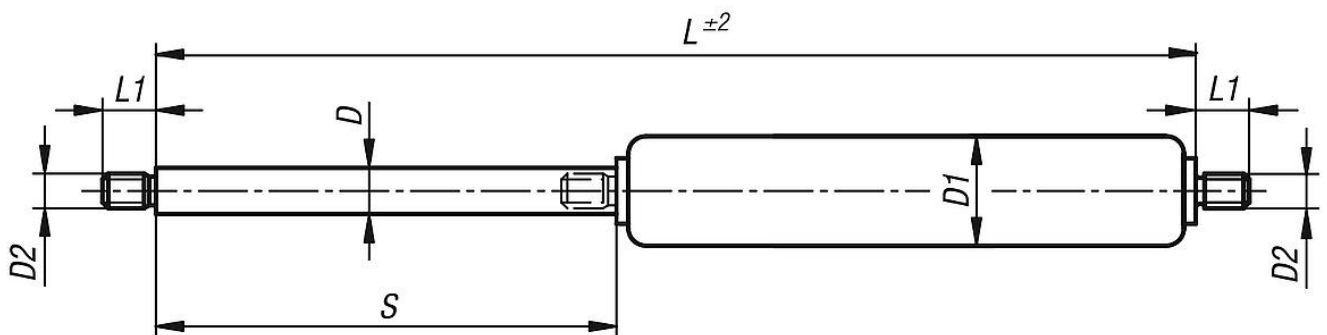
气弹簧充有高压氮气，在任何情况下都切勿打开或过度负荷。

根据要求：
其他推力。

可能的推力 F_1 (最小值 - 最大值)
尺寸 04/12: 10 - 180 N
尺寸 06/15: 40 - 400 N
尺寸 08/19: 50 - 700 N
尺寸 10/23: 100 - 1200 N
尺寸 14/28: 150 - 2500 N

附件：
连接件和配件参见图示。

图纸



商品概述

订货号	尺寸	D	D1	D2	行程 S	L	L1	进度 %	推力 F1 N
26200-0412030X20	04/12	4	12	M3,5	30	92	5	20	20
26200-0412030X40	04/12	4	12	M3,5	30	92	5	20	40
26200-0412030X70	04/12	4	12	M3,5	30	92	5	20	70
26200-0412030X100	04/12	4	12	M3,5	30	92	5	20	100
26200-0412030X130	04/12	4	12	M3,5	30	92	5	20	130
26200-0412030X150	04/12	4	12	M3,5	30	92	5	20	150
26200-0412030X180	04/12	4	12	M3,5	30	92	5	20	180
26200-0412040X20	04/12	4	12	M3,5	40	112	5	20	20
26200-0412040X40	04/12	4	12	M3,5	40	112	5	20	40
26200-0412040X70	04/12	4	12	M3,5	40	112	5	20	70
26200-0412040X100	04/12	4	12	M3,5	40	112	5	20	100
26200-0412040X130	04/12	4	12	M3,5	40	112	5	20	130
26200-0412040X150	04/12	4	12	M3,5	40	112	5	20	150
26200-0412040X180	04/12	4	12	M3,5	40	112	5	20	180
26200-0412050X20	04/12	4	12	M3,5	50	132	5	20	20
26200-0412050X40	04/12	4	12	M3,5	50	132	5	20	40
26200-0412050X70	04/12	4	12	M3,5	50	132	5	20	70
26200-0412050X100	04/12	4	12	M3,5	50	132	5	20	100
26200-0412050X130	04/12	4	12	M3,5	50	132	5	20	130
26200-0412050X150	04/12	4	12	M3,5	50	132	5	20	150
26200-0412050X180	04/12	4	12	M3,5	50	132	5	20	180
26200-0412060X20	04/12	4	12	M3,5	60	152	5	20	20
26200-0412060X40	04/12	4	12	M3,5	60	152	5	20	40
26200-0412060X70	04/12	4	12	M3,5	60	152	5	20	70
26200-0412060X100	04/12	4	12	M3,5	60	152	5	20	100
26200-0412060X130	04/12	4	12	M3,5	60	152	5	20	130
26200-0412060X150	04/12	4	12	M3,5	60	152	5	20	150
26200-0412060X180	04/12	4	12	M3,5	60	152	5	20	180
26200-0412070X20	04/12	4	12	M3,5	70	172	5	20	20
26200-0412070X40	04/12	4	12	M3,5	70	172	5	20	40
26200-0412070X70	04/12	4	12	M3,5	70	172	5	20	70
26200-0412070X100	04/12	4	12	M3,5	70	172	5	20	100
26200-0412070X130	04/12	4	12	M3,5	70	172	5	20	130
26200-0412070X150	04/12	4	12	M3,5	70	172	5	20	150
26200-0412070X180	04/12	4	12	M3,5	70	172	5	20	180
26200-0412080X20	04/12	4	12	M3,5	80	192	5	20	20
26200-0412080X40	04/12	4	12	M3,5	80	192	5	20	40
26200-0412080X70	04/12	4	12	M3,5	80	192	5	20	70
26200-0412080X100	04/12	4	12	M3,5	80	192	5	20	100
26200-0412080X130	04/12	4	12	M3,5	80	192	5	20	130
26200-0412080X150	04/12	4	12	M3,5	80	192	5	20	150
26200-0412080X180	04/12	4	12	M3,5	80	192	5	20	180
26200-0412100X20	04/12	4	12	M3,5	100	232	5	20	20
26200-0412100X40	04/12	4	12	M3,5	100	232	5	20	40
26200-0412100X70	04/12	4	12	M3,5	100	232	5	20	70
26200-0412100X100	04/12	4	12	M3,5	100	232	5	20	100
26200-0412100X130	04/12	4	12	M3,5	100	232	5	20	130
26200-0412100X150	04/12	4	12	M3,5	100	232	5	20	150
26200-0412100X180	04/12	4	12	M3,5	100	232	5	20	180
26200-0615020X100	06/15	6	15,6	M5	20	95	5	22	100
26200-0615020X150	06/15	6	15,6	M5	20	95	5	22	150
26200-0615020X200	06/15	6	15,6	M5	20	95	5	22	200
26200-0615020X250	06/15	6	15,6	M5	20	95	5	22	250
26200-0615020X300	06/15	6	15,6	M5	20	95	5	22	300
26200-0615020X350	06/15	6	15,6	M5	20	95	5	22	350
26200-0615020X400	06/15	6	15,6	M5	20	95	5	22	400
26200-0615040X100	06/15	6	15,6	M5	40	135	5	22	100
26200-0615040X150	06/15	6	15,6	M5	40	135	5	22	150
26200-0615040X200	06/15	6	15,6	M5	40	135	5	22	200
26200-0615040X250	06/15	6	15,6	M5	40	135	5	22	250
26200-0615040X300	06/15	6	15,6	M5	40	135	5	22	300
26200-0615040X350	06/15	6	15,6	M5	40	135	5	22	350
26200-0615040X400	06/15	6	15,6	M5	40	135	5	22	400
26200-0615060X100	06/15	6	15,6	M5	60	175	5	22	100
26200-0615060X150	06/15	6	15,6	M5	60	175	5	22	150

商品概述

订货号	尺寸	D	D1	D2	行程 S	L	L1	进度 %	推力 F1 N
26200-0615060X200	06/15	6	15,6	M5	60	175	5	22	200
26200-0615060X250	06/15	6	15,6	M5	60	175	5	22	250
26200-0615060X300	06/15	6	15,6	M5	60	175	5	22	300
26200-0615060X350	06/15	6	15,6	M5	60	175	5	22	350
26200-0615060X400	06/15	6	15,6	M5	60	175	5	22	400
26200-0615080X100	06/15	6	15,6	M5	80	215	5	22	100
26200-0615080X150	06/15	6	15,6	M5	80	215	5	22	150
26200-0615080X200	06/15	6	15,6	M5	80	215	5	22	200
26200-0615080X250	06/15	6	15,6	M5	80	215	5	22	250
26200-0615080X300	06/15	6	15,6	M5	80	215	5	22	300
26200-0615080X350	06/15	6	15,6	M5	80	215	5	22	350
26200-0615080X400	06/15	6	15,6	M5	80	215	5	22	400
26200-0615100X100	06/15	6	15,6	M5	100	255	5	22	100
26200-0615100X150	06/15	6	15,6	M5	100	255	5	22	150
26200-0615100X200	06/15	6	15,6	M5	100	255	5	22	200
26200-0615100X250	06/15	6	15,6	M5	100	255	5	22	250
26200-0615100X300	06/15	6	15,6	M5	100	255	5	22	300
26200-0615100X350	06/15	6	15,6	M5	100	255	5	22	350
26200-0615100X400	06/15	6	15,6	M5	100	255	5	22	400
26200-0615120X100	06/15	6	15,6	M5	120	295	5	22	100
26200-0615120X150	06/15	6	15,6	M5	120	295	5	22	150
26200-0615120X200	06/15	6	15,6	M5	120	295	5	22	200
26200-0615120X250	06/15	6	15,6	M5	120	295	5	22	250
26200-0615120X300	06/15	6	15,6	M5	120	295	5	22	300
26200-0615120X350	06/15	6	15,6	M5	120	295	5	22	350
26200-0615120X400	06/15	6	15,6	M5	120	295	5	22	400
26200-0615150X100	06/15	6	15,6	M5	150	355	5	22	100
26200-0615150X150	06/15	6	15,6	M5	150	355	5	22	150
26200-0615150X200	06/15	6	15,6	M5	150	355	5	22	200
26200-0615150X250	06/15	6	15,6	M5	150	355	5	22	250
26200-0615150X300	06/15	6	15,6	M5	150	355	5	22	300
26200-0615150X350	06/15	6	15,6	M5	150	355	5	22	350
26200-0615150X400	06/15	6	15,6	M5	150	355	5	22	400
26200-0819060X100	08/19	8	19	M8	60	190	10	30	100
26200-0819060X150	08/19	8	19	M8	60	190	10	30	150
26200-0819060X200	08/19	8	19	M8	60	190	10	30	200
26200-0819060X250	08/19	8	19	M8	60	190	10	30	250
26200-0819060X300	08/19	8	19	M8	60	190	10	30	300
26200-0819060X350	08/19	8	19	M8	60	190	10	30	350
26200-0819060X400	08/19	8	19	M8	60	190	10	30	400
26200-0819060X500	08/19	8	19	M8	60	190	10	30	500
26200-0819060X600	08/19	8	19	M8	60	190	10	30	600
26200-0819060X700	08/19	8	19	M8	60	190	10	30	700
26200-0819080X100	08/19	8	19	M8	80	230	10	30	100
26200-0819080X150	08/19	8	19	M8	80	230	10	30	150
26200-0819080X200	08/19	8	19	M8	80	230	10	30	200
26200-0819080X250	08/19	8	19	M8	80	230	10	30	250
26200-0819080X300	08/19	8	19	M8	80	230	10	30	300
26200-0819080X350	08/19	8	19	M8	80	230	10	30	350
26200-0819080X400	08/19	8	19	M8	80	230	10	30	400
26200-0819080X500	08/19	8	19	M8	80	230	10	30	500
26200-0819080X600	08/19	8	19	M8	80	230	10	30	600
26200-0819080X700	08/19	8	19	M8	80	230	10	30	700
26200-0819100X100	08/19	8	19	M8	100	270	10	30	100
26200-0819100X150	08/19	8	19	M8	100	270	10	30	150
26200-0819100X200	08/19	8	19	M8	100	270	10	30	200
26200-0819100X250	08/19	8	19	M8	100	270	10	30	250
26200-0819100X300	08/19	8	19	M8	100	270	10	30	300
26200-0819100X350	08/19	8	19	M8	100	270	10	30	350
26200-0819100X400	08/19	8	19	M8	100	270	10	30	400
26200-0819100X500	08/19	8	19	M8	100	270	10	30	500
26200-0819100X600	08/19	8	19	M8	100	270	10	30	600
26200-0819100X700	08/19	8	19	M8	100	270	10	30	700
26200-0819120X100	08/19	8	19	M8	120	310	10	30	100
26200-0819120X150	08/19	8	19	M8	120	310	10	30	150

商品概述

订货号	尺寸	D	D1	D2	行程 S	L	L1	进度 %	推力 F1 N
26200-0819120X200	08/19	8	19	M8	120	310	10	30	200
26200-0819120X250	08/19	8	19	M8	120	310	10	30	250
26200-0819120X300	08/19	8	19	M8	120	310	10	30	300
26200-0819120X350	08/19	8	19	M8	120	310	10	30	350
26200-0819120X400	08/19	8	19	M8	120	310	10	30	400
26200-0819120X500	08/19	8	19	M8	120	310	10	30	500
26200-0819120X600	08/19	8	19	M8	120	310	10	30	600
26200-0819120X700	08/19	8	19	M8	120	310	10	30	700
26200-0819140X100	08/19	8	19	M8	140	350	10	30	100
26200-0819140X150	08/19	8	19	M8	140	350	10	30	150
26200-0819140X200	08/19	8	19	M8	140	350	10	30	200
26200-0819140X250	08/19	8	19	M8	140	350	10	30	250
26200-0819140X300	08/19	8	19	M8	140	350	10	30	300
26200-0819140X350	08/19	8	19	M8	140	350	10	30	350
26200-0819140X400	08/19	8	19	M8	140	350	10	30	400
26200-0819140X500	08/19	8	19	M8	140	350	10	30	500
26200-0819140X600	08/19	8	19	M8	140	350	10	30	600
26200-0819140X700	08/19	8	19	M8	140	350	10	30	700
26200-0819160X100	08/19	8	19	M8	160	390	10	30	100
26200-0819160X150	08/19	8	19	M8	160	390	10	30	150
26200-0819160X200	08/19	8	19	M8	160	390	10	30	200
26200-0819160X250	08/19	8	19	M8	160	390	10	30	250
26200-0819160X300	08/19	8	19	M8	160	390	10	30	300
26200-0819160X350	08/19	8	19	M8	160	390	10	30	350
26200-0819160X400	08/19	8	19	M8	160	390	10	30	400
26200-0819160X500	08/19	8	19	M8	160	390	10	30	500
26200-0819160X600	08/19	8	19	M8	160	390	10	30	600
26200-0819160X700	08/19	8	19	M8	160	390	10	30	700
26200-0819180X100	08/19	8	19	M8	180	430	10	30	100
26200-0819180X150	08/19	8	19	M8	180	430	10	30	150
26200-0819180X200	08/19	8	19	M8	180	430	10	30	200
26200-0819180X250	08/19	8	19	M8	180	430	10	30	250
26200-0819180X300	08/19	8	19	M8	180	430	10	30	300
26200-0819180X350	08/19	8	19	M8	180	430	10	30	350
26200-0819180X400	08/19	8	19	M8	180	430	10	30	400
26200-0819180X500	08/19	8	19	M8	180	430	10	30	500
26200-0819180X600	08/19	8	19	M8	180	430	10	30	600
26200-0819180X700	08/19	8	19	M8	180	430	10	30	700
26200-0819200X100	08/19	8	19	M8	200	470	10	30	100
26200-0819200X150	08/19	8	19	M8	200	470	10	30	150
26200-0819200X200	08/19	8	19	M8	200	470	10	30	200
26200-0819200X250	08/19	8	19	M8	200	470	10	30	250
26200-0819200X300	08/19	8	19	M8	200	470	10	30	300
26200-0819200X350	08/19	8	19	M8	200	470	10	30	350
26200-0819200X400	08/19	8	19	M8	200	470	10	30	400
26200-0819200X500	08/19	8	19	M8	200	470	10	30	500
26200-0819200X600	08/19	8	19	M8	200	470	10	30	600
26200-0819200X700	08/19	8	19	M8	200	470	10	30	700
26200-0819220X100	08/19	8	19	M8	220	510	10	30	100
26200-0819220X150	08/19	8	19	M8	220	510	10	30	150
26200-0819220X200	08/19	8	19	M8	220	510	10	30	200
26200-0819220X250	08/19	8	19	M8	220	510	10	30	250
26200-0819220X300	08/19	8	19	M8	220	510	10	30	300
26200-0819220X350	08/19	8	19	M8	220	510	10	30	350
26200-0819220X400	08/19	8	19	M8	220	510	10	30	400
26200-0819220X500	08/19	8	19	M8	220	510	10	30	500
26200-0819220X600	08/19	8	19	M8	220	510	10	30	600
26200-0819220X700	08/19	8	19	M8	220	510	10	30	700
26200-0819250X100	08/19	8	19	M8	250	570	10	30	100
26200-0819250X150	08/19	8	19	M8	250	570	10	30	150
26200-0819250X200	08/19	8	19	M8	250	570	10	30	200
26200-0819250X250	08/19	8	19	M8	250	570	10	30	250
26200-0819250X300	08/19	8	19	M8	250	570	10	30	300
26200-0819250X350	08/19	8	19	M8	250	570	10	30	350
26200-0819250X400	08/19	8	19	M8	250	570	10	30	400

商品概述

订货号	尺寸	D	D1	D2	行程 S	L	L1	进度 %	推力 F1 N
26200-0819250X500	08/19	8	19	M8	250	570	10	30	500
26200-0819250X600	08/19	8	19	M8	250	570	10	30	600
26200-0819250X700	08/19	8	19	M8	250	570	10	30	700
26200-1023050X150	10/23	10	23	M8	50	170	10	30	150
26200-1023050X200	10/23	10	23	M8	50	170	10	30	200
26200-1023050X250	10/23	10	23	M8	50	170	10	30	250
26200-1023050X300	10/23	10	23	M8	50	170	10	30	300
26200-1023050X350	10/23	10	23	M8	50	170	10	30	350
26200-1023050X400	10/23	10	23	M8	50	170	10	30	400
26200-1023050X500	10/23	10	23	M8	50	170	10	30	500
26200-1023050X600	10/23	10	23	M8	50	170	10	30	600
26200-1023050X700	10/23	10	23	M8	50	170	10	30	700
26200-1023050X800	10/23	10	23	M8	50	170	10	30	800
26200-1023100X150	10/23	10	23	M8	100	270	10	30	150
26200-1023100X200	10/23	10	23	M8	100	270	10	30	200
26200-1023100X250	10/23	10	23	M8	100	270	10	30	250
26200-1023100X300	10/23	10	23	M8	100	270	10	30	300
26200-1023100X350	10/23	10	23	M8	100	270	10	30	350
26200-1023100X400	10/23	10	23	M8	100	270	10	30	400
26200-1023100X500	10/23	10	23	M8	100	270	10	30	500
26200-1023100X600	10/23	10	23	M8	100	270	10	30	600
26200-1023100X700	10/23	10	23	M8	100	270	10	30	700
26200-1023100X800	10/23	10	23	M8	100	270	10	30	800
26200-1023150X150	10/23	10	23	M8	150	370	10	30	150
26200-1023150X200	10/23	10	23	M8	150	370	10	30	200
26200-1023150X250	10/23	10	23	M8	150	370	10	30	250
26200-1023150X300	10/23	10	23	M8	150	370	10	30	300
26200-1023150X350	10/23	10	23	M8	150	370	10	30	350
26200-1023150X400	10/23	10	23	M8	150	370	10	30	400
26200-1023150X500	10/23	10	23	M8	150	370	10	30	500
26200-1023150X600	10/23	10	23	M8	150	370	10	30	600
26200-1023150X700	10/23	10	23	M8	150	370	10	30	700
26200-1023150X800	10/23	10	23	M8	150	370	10	30	800
26200-1023200X150	10/23	10	23	M8	200	470	10	30	150
26200-1023200X200	10/23	10	23	M8	200	470	10	30	200
26200-1023200X250	10/23	10	23	M8	200	470	10	30	250
26200-1023200X300	10/23	10	23	M8	200	470	10	30	300
26200-1023200X350	10/23	10	23	M8	200	470	10	30	350
26200-1023200X400	10/23	10	23	M8	200	470	10	30	400
26200-1023200X500	10/23	10	23	M8	200	470	10	30	500
26200-1023200X600	10/23	10	23	M8	200	470	10	30	600
26200-1023200X700	10/23	10	23	M8	200	470	10	30	700
26200-1023200X800	10/23	10	23	M8	200	470	10	30	800
26200-1023250X150	10/23	10	23	M8	250	570	10	30	150
26200-1023250X200	10/23	10	23	M8	250	570	10	30	200
26200-1023250X250	10/23	10	23	M8	250	570	10	30	250
26200-1023250X300	10/23	10	23	M8	250	570	10	30	300
26200-1023250X350	10/23	10	23	M8	250	570	10	30	350
26200-1023250X400	10/23	10	23	M8	250	570	10	30	400
26200-1023250X500	10/23	10	23	M8	250	570	10	30	500
26200-1023250X600	10/23	10	23	M8	250	570	10	30	600
26200-1023250X700	10/23	10	23	M8	250	570	10	30	700
26200-1023250X800	10/23	10	23	M8	250	570	10	30	800
26200-1023300X150	10/23	10	23	M8	300	670	10	30	150
26200-1023300X200	10/23	10	23	M8	300	670	10	30	200
26200-1023300X250	10/23	10	23	M8	300	670	10	30	250
26200-1023300X300	10/23	10	23	M8	300	670	10	30	300
26200-1023300X350	10/23	10	23	M8	300	670	10	30	350
26200-1023300X400	10/23	10	23	M8	300	670	10	30	400
26200-1023300X500	10/23	10	23	M8	300	670	10	30	500
26200-1023300X600	10/23	10	23	M8	300	670	10	30	600
26200-1023300X700	10/23	10	23	M8	300	670	10	30	700
26200-1023300X800	10/23	10	23	M8	300	670	10	30	800
26200-1023350X150	10/23	10	23	M8	350	770	10	30	150
26200-1023350X200	10/23	10	23	M8	350	770	10	30	200

商品概述

订货号	尺寸	D	D1	D2	行程 S	L	L1	进度 %	推力 F1 N
26200-1023350X250	10/23	10	23	M8	350	770	10	30	250
26200-1023350X300	10/23	10	23	M8	350	770	10	30	300
26200-1023350X350	10/23	10	23	M8	350	770	10	30	350
26200-1023350X400	10/23	10	23	M8	350	770	10	30	400
26200-1023350X500	10/23	10	23	M8	350	770	10	30	500
26200-1023350X600	10/23	10	23	M8	350	770	10	30	600
26200-1023350X700	10/23	10	23	M8	350	770	10	30	700
26200-1023350X800	10/23	10	23	M8	350	770	10	30	800
26200-1428050X200	14/28	14	28	M10	50	207	12	40	200
26200-1428050X250	14/28	14	28	M10	50	207	12	40	250
26200-1428050X300	14/28	14	28	M10	50	207	12	40	300
26200-1428050X350	14/28	14	28	M10	50	207	12	40	350
26200-1428050X400	14/28	14	28	M10	50	207	12	40	400
26200-1428050X500	14/28	14	28	M10	50	207	12	40	500
26200-1428050X600	14/28	14	28	M10	50	207	12	40	600
26200-1428050X700	14/28	14	28	M10	50	207	12	40	700
26200-1428050X800	14/28	14	28	M10	50	207	12	40	800
26200-1428100X200	14/28	14	28	M10	100	307	12	40	200
26200-1428100X250	14/28	14	28	M10	100	307	12	40	250
26200-1428100X300	14/28	14	28	M10	100	307	12	40	300
26200-1428100X350	14/28	14	28	M10	100	307	12	40	350
26200-1428100X400	14/28	14	28	M10	100	307	12	40	400
26200-1428100X500	14/28	14	28	M10	100	307	12	40	500
26200-1428100X600	14/28	14	28	M10	100	307	12	40	600
26200-1428100X700	14/28	14	28	M10	100	307	12	40	700
26200-1428100X800	14/28	14	28	M10	100	307	12	40	800
26200-1428150X200	14/28	14	28	M10	150	407	12	40	200
26200-1428150X250	14/28	14	28	M10	150	407	12	40	250
26200-1428150X300	14/28	14	28	M10	150	407	12	40	300
26200-1428150X350	14/28	14	28	M10	150	407	12	40	350
26200-1428150X400	14/28	14	28	M10	150	407	12	40	400
26200-1428150X500	14/28	14	28	M10	150	407	12	40	500
26200-1428150X600	14/28	14	28	M10	150	407	12	40	600
26200-1428150X700	14/28	14	28	M10	150	407	12	40	700
26200-1428150X800	14/28	14	28	M10	150	407	12	40	800
26200-1428200X200	14/28	14	28	M10	200	507	12	40	200
26200-1428200X250	14/28	14	28	M10	200	507	12	40	250
26200-1428200X300	14/28	14	28	M10	200	507	12	40	300
26200-1428200X350	14/28	14	28	M10	200	507	12	40	350
26200-1428200X400	14/28	14	28	M10	200	507	12	40	400
26200-1428200X500	14/28	14	28	M10	200	507	12	40	500
26200-1428200X600	14/28	14	28	M10	200	507	12	40	600
26200-1428200X700	14/28	14	28	M10	200	507	12	40	700
26200-1428200X800	14/28	14	28	M10	200	507	12	40	800
26200-1428250X200	14/28	14	28	M10	250	607	12	40	200
26200-1428250X250	14/28	14	28	M10	250	607	12	40	250
26200-1428250X300	14/28	14	28	M10	250	607	12	40	300
26200-1428250X350	14/28	14	28	M10	250	607	12	40	350
26200-1428250X400	14/28	14	28	M10	250	607	12	40	400
26200-1428250X500	14/28	14	28	M10	250	607	12	40	500
26200-1428250X600	14/28	14	28	M10	250	607	12	40	600
26200-1428250X700	14/28	14	28	M10	250	607	12	40	700
26200-1428250X800	14/28	14	28	M10	250	607	12	40	800
26200-1428300X200	14/28	14	28	M10	300	707	12	40	200
26200-1428300X250	14/28	14	28	M10	300	707	12	40	250
26200-1428300X300	14/28	14	28	M10	300	707	12	40	300
26200-1428300X350	14/28	14	28	M10	300	707	12	40	350
26200-1428300X400	14/28	14	28	M10	300	707	12	40	400
26200-1428300X500	14/28	14	28	M10	300	707	12	40	500
26200-1428300X600	14/28	14	28	M10	300	707	12	40	600
26200-1428300X700	14/28	14	28	M10	300	707	12	40	700
26200-1428300X800	14/28	14	28	M10	300	707	12	40	800
26200-1428400X200	14/28	14	28	M10	400	907	12	40	200
26200-1428400X250	14/28	14	28	M10	400	907	12	40	250
26200-1428400X300	14/28	14	28	M10	400	907	12	40	300

商品概述

订货号	尺寸	D	D1	D2	行程 S	L	L1	进度 %	推力 F1 N
26200-1428400X350	14/28	14	28	M10	400	907	12	40	350
26200-1428400X400	14/28	14	28	M10	400	907	12	40	400
26200-1428400X500	14/28	14	28	M10	400	907	12	40	500
26200-1428400X600	14/28	14	28	M10	400	907	12	40	600
26200-1428400X700	14/28	14	28	M10	400	907	12	40	700
26200-1428400X800	14/28	14	28	M10	400	907	12	40	800